



DATASHEET
Free-Standing
Compact
Stainless Steel
Outdoor Cabinets
FSM-O

CONTEG

FSM-O—FREE-STANDING COMPACT STAINLESS STEEL OUTDOOR CABINETS



FSM-O-201004

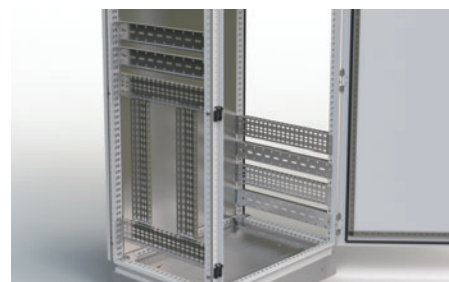
➤ **FSM-O free-standing compact outdoor cabinets** are made of stainless steel. FSM-O cabinets have integrated side panels in the frame and a surface finish resistant to UV radiation, which protects against harmful environmental influences. The compact welded construction of the cabinet is made of profiled side panels joined together by crossbar profiles. This manufacturing method can meet the highest requirements for rigidity and lends the cabinet 700 kg of load-bearing capacity. Thanks to the design of the bottom frame, FSM-O can be used even without an extra plinth. To create a variety of mounting surfaces and planes, we offer a wide range of system accessories designed for optimal use of the frame profile. We also supply components to control the environment inside the cabinet, such as heating units, filtered fans or active cooling units.

MAIN ADVANTAGES

- Welded compact construction with integrated side panels—stainless steel with polyester powder coating surface finish with UV protection
- Load capacity 700 kg
- Single-door cabinet designs
- Can be installed without an additional supporting plinth
- Designer lift-up handle—the standard for all cabinet types
- Easy to close doors thanks to a special locking system
- Maximum use of interior space—possibility of placing the mounting plate between the rear posts
- Side panels integrated in the frame
- 17 sizes from 1 400 × 600 × 300 mm up to 2 000 × 1 000 × 400 mm
- Wide assortment of accessories
- Wide assortment of tailor-made customer solutions—cut-outs according to your requirements before and after final surface finishing accessories



FSM-O-201004



Wide range of system rails creates additional mounting levels for individual installation.



Maximum use of interior space—possibility of placing the mounting plate between the rear uprights.

COLOR:  RAL 7035

FSM-O—FREE-STANDING COMPACT STAINLESS STEEL CABINETS

OUTDOOR VERSION

DESCRIPTION

Material

- Cabinet: stainless steel
- Mounting plate: zinc-plated sheet steel

Cabinet surface finish

- Polyester powder coating with UV protection

Color

- RAL 7035 for outdoor use

Degree of protection

- IP55 according to the EN 60529 norm (the degree of protection can be reduced after mounting some accessories)

Mechanical durability

- IK10 according to IEC 62262

Supply includes

- Welded construction with integrated side panels
- Full single-door with swing handle is equipped with a four-point locking system

- The door hinges are located on the right-hand side of the single-door cabinet (option to switch the door mounting from right to left is available)
- Rear and top panel
- Gland plate
- Mounting plate with raster

| FSM-O—FREE-STANDING COMPACT OUTDOOR STAINLESS STEEL CABINETS , HEIGHT 1 400 AND 1 600 mm | | | | | | | | |
|--|--------------------|--------------|--------------|--------------|--------------|--------------|--------------|--------------|
| Cabinet | H (mm) | 1400 | 1400 | 1600 | 1600 | 1600 | 1600 | 1600 |
| | W (mm) | 600 | 600 | 600 | 800 | 800 | 1000 | 1000 |
| | D (mm) | 300 | 400 | 400 | 300 | 400 | 300 | 400 |
| Mounting plate | H1 (mm) | 1291 | 1291 | 1491 | 1491 | 1491 | 1491 | 1491 |
| | W2 (mm) | 497 | 497 | 497 | 697 | 697 | 897 | 897 |
| Material thickness (mm) | Rear and top panel | 1.25/1.5 | | | | | | |
| | Door | 2 | 2 | 2 | 2 | 2 | 2 | 2 |
| | Mounting plate | 3 | 3 | 3 | 3 | 3 | 3 | 3 |
| Door | | 1 | 1 | 1 | 1 | 1 | 1 | 1 |
| Gland plate, number of parts | | 2 | 2 | 2 | 2 | 2 | 2 | 2 |
| Weight (kg) | | 75 | 81 | 82 | 104 | 109 | 120 | 132 |
| Code | 1 pc | FSM-O-140603 | FSM-O-140604 | FSM-O-160604 | FSM-O-160803 | FSM-O-160804 | FSM-O-161003 | FSM-O-161004 |
| ACCESSORIES | | | | | | | | |
| Plinth 100 mm | front and rear | 1 set | ID-F-SPF06 | ID-F-SPF06 | ID-F-SPF06 | ID-F-SPF08 | ID-F-SPF08 | ID-F-SPF10 |
| | side parts | | ID-F-SPS03 | ID-F-SPS04 | ID-F-SPS04 | ID-F-SPS03 | ID-F-SPS04 | ID-SPS03 |

To order the cabinet without the mounting plate, use order number FSM-O-xxxxxx-01.

| FSM-O—FREE-STANDING COMPACT OUTDOOR STAINLESS STEEL CABINETS , HEIGHT 1 800 mm | | | | | | | | |
|--|--------------------|--------------|--------------|--------------|--------------|--------------|--------------|--------------|
| Cabinet | H (mm) | 1800 | 1800 | 1800 | 1800 | 1800 | 1800 | 1800 |
| | W (mm) | 600 | 800 | 800 | 800 | 1000 | 1000 | 1000 |
| | D (mm) | 400 | 300 | 400 | 400 | 400 | 400 | 400 |
| Mounting plate | H1 (mm) | 1691 | 1691 | 1691 | 1691 | 1691 | 1691 | 1691 |
| | W2 (mm) | 497 | 697 | 697 | 697 | 897 | 897 | 897 |
| Material thickness (mm) | Rear and top panel | 1.25/1.5 | | | | | | |
| | Door | 2 | 2 | 2 | 2 | 2 | 2 | 2 |
| | Mounting plate | 3 | 3 | 3 | 3 | 3 | 3 | 3 |
| Door | | 1 | 1 | 1 | 1 | 1 | 1 | 1 |
| Gland plate, number of parts | | 2 | 2 | 2 | 2 | 2 | 2 | 2 |
| Weight (kg) | | 99 | 104 | 109 | 109 | 109 | 146 | 146 |
| Code | 1 pc | FSM-O-180604 | FSM-O-180803 | FSM-O-180804 | FSM-O-180804 | FSM-O-181004 | FSM-O-181004 | FSM-O-181004 |
| ACCESSORIES | | | | | | | | |
| Plinth 100 mm | front and rear | 1 set | ID-F-SPF06 | ID-F-SPF08 | ID-F-SPF08 | ID-F-SPF08 | ID-F-SPF10 | ID-F-SPF10 |
| | side parts | | ID-F-SPS04 | ID-F-SPS03 | ID-F-SPS04 | ID-F-SPS04 | ID-F-SPS04 | ID-F-SPS04 |

To order the cabinet without the mounting plate, use order number FSM-O-xxxxxx-01.

| FSM-O—FREE-STANDING COMPACT OUTDOOR STAINLESS STEEL CABINETS, HEIGHT 2 000 mm | | | | | | | | |
|---|--------------------|--------------|--------------|--------------|--------------|--------------|--------------|------------|
| Cabinet | H (mm) | | 2 000 | 2 000 | 2 000 | 2 000 | 2 000 | |
| | W (mm) | | 600 | 600 | 800 | 800 | 1 000 | |
| | D (mm) | | 300 | 400 | 300 | 400 | 500 | 400 |
| Mounting plate | H1 (mm) | | 1 891 | 1 891 | 1 891 | 1 891 | 1 891 | |
| | W2 (mm) | | 497 | 497 | 697 | 697 | 897 | |
| Material thickness (mm) | Rear and top panel | | 1.25/1.5 | | | | | |
| | Door | | 2 | 2 | 2 | 2 | 2 | |
| | Mounting plate | | 3 | 3 | 3 | 3 | 3 | |
| Door | | | 1 | 1 | 1 | 1 | 1 | |
| Gland plate, number of parts | | | 2 | 2 | 2 | 2 | 2 | |
| Weight (kg) | | | 102 | 107 | 124 | 132 | 159 | |
| Code | 1 pc | FSM-O-200603 | FSM-O-200604 | FSM-O-200803 | FSM-O-200804 | FSM-O-200805 | FSM-O-201004 | |
| ACCESSORIES | | | | | | | | |
| Plinth 100 mm | front and rear | 1 set | ID-F-SPF06 | ID-F-SPF06 | ID-F-SPF08 | ID-F-SPF08 | ID-F-SPF08 | ID-F-SPF10 |
| | side parts | | ID-F-SPS03 | ID-F-SPS04 | ID-F-SPS03 | ID-F-SPS04 | ID-F-SPS05 | ID-F-SPS04 |

To order the cabinet without the mounting plate, use order number FSM-O-xxxxxx-01.

Recommended Accessories



Cooling units



Filter fans



Horizontal and vertical extrusions

FSM-O—FREE-STANDING COMPACT STAINLESS STEEL CABINETS

ACCESSORIES

PLINTHS



- Material: 2mm stainless steel
- Color: RAL 9005
- It is necessary to order front and side set together
- Possibility of installing two plinths of 100 mm height apart
- Supply includes: mounting accessories

| Code for 100 mm high plinth | For cabinet width (mm) | Package |
|----------------------------------|------------------------|---------|
| Plinth—front and rear set | | |
| ID-F-SPF06 | 600 | 1 set |
| ID-F-SPF08 | 800 | 1 set |
| ID-F-SPF10 | 1000 | 1 set |

| Code for 100 mm high plinth | For cabinet depth (mm) | Package |
|-----------------------------|------------------------|---------|
| Plinth—sides set | | |
| ID-F-SPS03 | 300 | 1 set |
| ID-F-SPS04 | 400 | 1 set |
| ID-F-SPS05 | 500 | 1 set |

SEALING SET IP55



- Material: PVC
- Application: plugs and sealing tape for IP55 protection
- Supply includes: whole set for FSM cabinet

| Code | Package |
|------------|---------|
| ID-F-KIT55 | 1 pc |

SPARE MOUNTING PLATE



- Material: 3mm zinc-plated sheet steel
- Supply includes: mounting plate with marked raster, mounting accessories and brackets

| Code | For cabinet height × width (mm) |
|-------------|---------------------------------|
| ID-F-SP1806 | 1800 × 600 |
| ID-F-SP1808 | 1800 × 800 |
| ID-F-SP1810 | 1800 × 1000 |
| ID-F-SP2006 | 2000 × 600 |
| ID-F-SP2008 | 2000 × 800 |
| ID-F-SP2010 | 2000 × 1000 |

LOWER BRACKETS FOR MOUNTING PLATES



- Material: 5 mm zinc-plated sheet steel
- Application: to allow the mounting plate to be moved out of the rear position of the frame
- Mounting: mount on the lower side of the frame profile
- Supply includes: mounting accessories

| Code | Package |
|----------|---------|
| ID-F-SBR | 1 set |

SIDE BRACKETS FOR MOUNTING PLATES



- Material: 2mm zinc-plated sheet
- Application: for additional mounting plate fixation and vibration reduction
- Mounting: mount on horizontal ID-F-Hxx or ID-F-NHxx rails or directly on the upright
- Supply includes: mounting accessories

| Code | Package |
|----------|---------|
| ID-F-LBP | 1 set |

HORIZONTAL/VERTICAL EXTRUSIONS



ID-F-H (for mounting on the sides of the frame profiles)



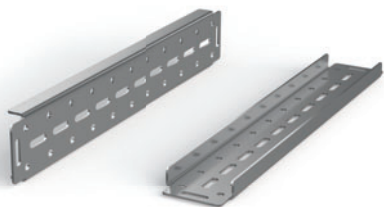
ID-F-NH (for mounting between the frame profiles)

- Material: 2mm zinc-plated sheet steel
- Rail width: 90 mm (ID-F-H), 41.2 mm (ID-F-NH)
- Application: to create more mounting planes (horizontal and vertical)
- Mounting: ID-F-Hx on the sides of the frame profiles
- Mounting: ID-F-NHx between the frame profiles
- Supply includes: mounting accessories

| Code | For cabinets high/width/depth (mm) | Load capacity in horizontal position | Load capacity in vertical position | Package * |
|--|------------------------------------|--------------------------------------|------------------------------------|-----------|
| Mounting on the sides of the frame profiles | | | | |
| ID-F-H4 | 400 | 140 kg | 240 kg | 1 set |
| ID-F-H5 | 500 | 100 kg | 240 kg | 1 set |
| ID-F-H6 | 600 | 70 kg | 240 kg | 1 set |
| ID-F-H8 | 800 | 50 kg | 180 kg | 1 set |
| ID-F-H10 | 1000 | 50 kg | 140 kg | 1 set |
| ID-F-H12 | 1200 | 50 kg | 120 kg | 1 set |
| ID-F-H18 | 1800 | 36 kg | 80 kg | 1 set |
| ID-F-H20 | 2000 | 32 kg | 70 kg | 1 set |
| Mounting between the frame profiles | | | | |
| ID-F-NH4 | 400 | 95 kg | 95 kg | 1 set |
| ID-F-NH5 | 500 | 85 kg | 85 kg | 1 set |
| ID-F-NH6 | 600 | 70 kg | 70 kg | 1 set |
| ID-F-NH8 | 800 | 56 kg | 56 kg | 1 set |
| ID-F-NH10 | 1000 | 45 kg | 45 kg | 1 set |
| ID-F-NH12 | 1200 | 35 kg | 35 kg | 1 set |
| ID-F-NH18 | 1800 | 21 kg | 21 kg | 1 set |
| ID-F-NH20 | 2000 | 20 kg | 20 kg | 1 set |

* 1 set—2 pcs.

HORIZONTAL EXTRUSIONS



- Material: 3mm zinc-plated sheet steel
- Rail width: 87.5 mm
- Application: for installing high weight components
- Mounting: mount on frame profiles
- Supply includes: mounting accessories

| Code | For cabinets width/depth (mm) | Load capacity in horizontal position | Package * |
|-----------|-------------------------------|--------------------------------------|-----------|
| ID-F-HH4 | 400 | 260 kg | 1 set |
| ID-F-HH5 | 500 | 210 kg | 1 set |
| ID-F-HH6 | 600 | 175 kg | 1 set |
| ID-F-HH8 | 800 | 130 kg | 1 set |
| ID-F-HH10 | 1 000 | 100 kg | 1 set |

* 1 set—2 pcs.

DOOR-MOUNTING RAILS

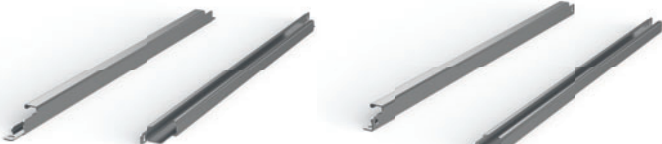


- Material: 2mm zinc-plated sheet steel
- Rail width: 20 mm
- Application: for creating more mounting planes on the inner sides of the doors
- Mounting: into the door frame
- Supply includes: mounting accessories

| Code | For door/wing dimensions (mm) | Package * |
|-----------|-------------------------------|-----------|
| ID-F-VD6 | 600 | 1 set |
| ID-F-VD8 | 800 | 1 set |
| ID-F-VD10 | 1 000 | 1 set |

* 1 set—2 pcs.

PROFILE FOR CABLE FIXING



- Material: 2mm zinc-plated sheet steel
- Application: for cable glands
- Mounting: mount on the lower side profile of the frame or on the mounting plate (ID-F-RCUxx)
- Mounting: mount between the bottom side frame profiles (ID-F-RCxx)
- Supply includes: mounting accessories

| Code | Code | For cabinets width/depth (mm) | Package * |
|-----------|------------|-------------------------------|-----------|
| ID-F-RC4 | ID-F-RCU4 | 400 | 1 set |
| ID-F-RC6 | ID-F-RCU6 | 600 | 1 set |
| ID-F-RC8 | ID-F-RCU8 | 800 | 1 set |
| ID-F-RC10 | ID-F-RCU10 | 1 000 | 1 set |

* 1 set—2 pcs.

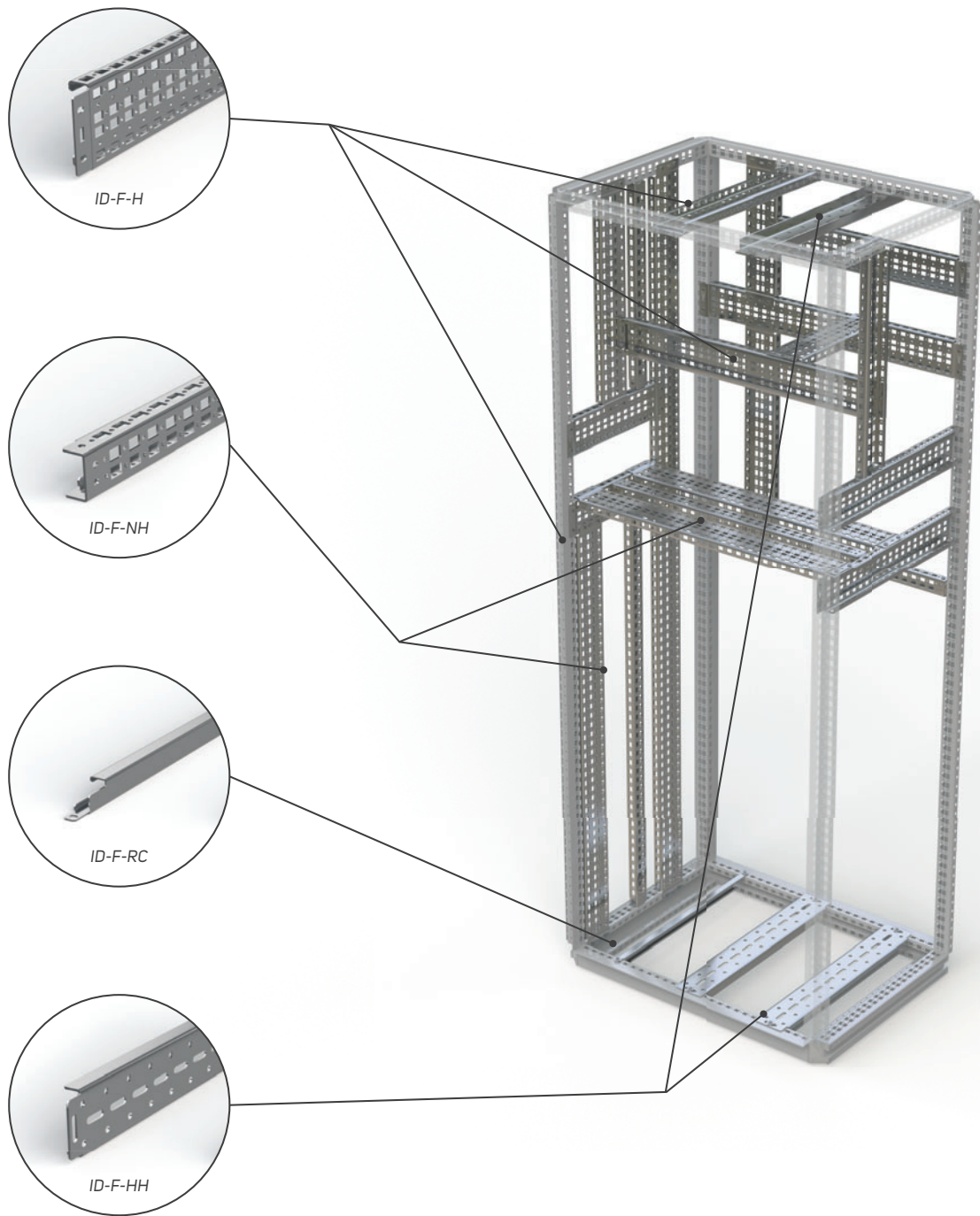
EYE BOLTS



- Eye bolts for crane transport
- Application: for assembling with FSM, holes with internal threads under roof
- Material: zinc-plated carbon steel
- DIN580
- M12
- Package includes: 4 pcs

| Code | Package |
|---------|---------|
| ID-F-EB | 1 set |

Possibilities to install horizontal and vertical rails



19" RAILS



- Material: 2mm zinc-plated sheet steel
- Application: to make 19" planes in the FSM cabinets
- Mounting: onto the ID-F-UBxx + ID-F-Hxx brackets
- Supply includes: 19" vertical extrusions and mounting accessories

| Code * | For cabinet height × width (mm) | Package |
|-----------|---------------------------------|---------|
| ID-F-V186 | 1 800 × 600 (36U) | 1 set |
| ID-F-V206 | 2 000 × 600 (42U) | 1 set |
| ID-F-V188 | 1 800 × 800 (36U) | 1 set |
| ID-F-V208 | 2 000 × 800 (42U) | 1 set |

* It's necessary to order 19" brackets ID-F-UBxx.

19" BRACKETS



ID-F-UB08

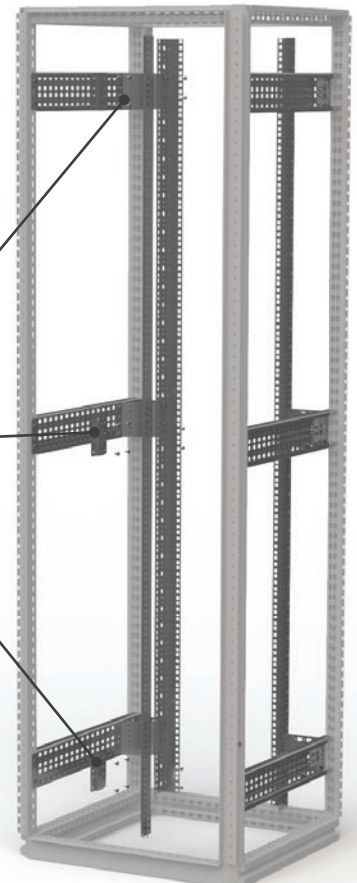
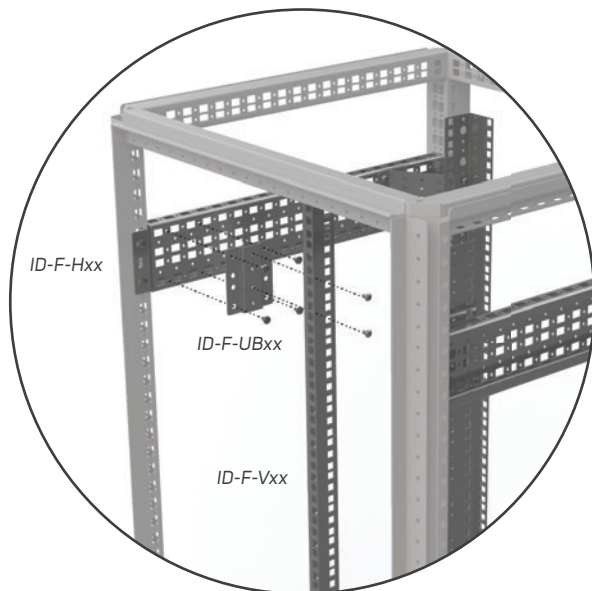
ID-F-UB06

- Material: 1.5mm (ID-F-UB06); 2mm (ID-F-UB08) zinc-plated sheet steel
- Application: to make 19" planes in the FSM cabinets of width 600 and 800 mm
- Mounting: onto system extrusions ID-F-Hxx
- Supply includes: brackets for 19" vertical extrusions and mounting accessories

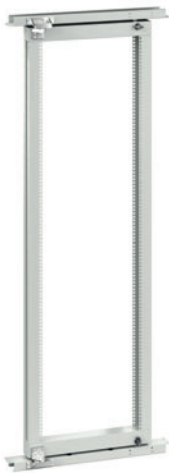
| Code | For cabinet width (mm) | Package * |
|-----------|------------------------|-----------|
| ID-F-UB06 | 600 | 1 set |
| ID-F-UB08 | 800 | 1 set |

* 1 set—6 pcs.

Mounting 19" extrusion



19" SWING FRAME



- Material: 2mm sheet steel
- Swing frame load-bearing capacity: 150 kg
- Use: to create a swinging 19" plane and an access point to the back of the rack cabinet with width of 800 mm
- Installation: onto the cabinet structure
- Supply includes: 19" swing frame including a lock and horizontal crossbars for mounting

| Code | For cabinet height × width (mm) | Package |
|----------------|---------------------------------|---------|
| ID-F-1808-SF15 | 1800 × 800 | 1 set |
| ID-F-2008-SF15 | 2 000 × 800 | 1 set |

DOOR STOP



- Application: for FSM cabinets
- Supply includes: door stop and mounting accessories

| Code | Package |
|---------|---------|
| ID-F-DS | 1 pc |

DOOR SWITCH



- Brackets material: 2mm zinc-plated sheet steel
- Door switch: IP65, plastic, 1NO + 1NC, PG13.5, -25 °C to +70 °C
- Supply includes: door switch and mounting accessories

| Code | Package |
|---------|---------|
| ID-F-DC | 1 pc |

UTILITY LECTERN



- Material: 1.5mm sheet steel
- Color: RAL 7035
- Mounting: mount onto the door frame
- Dimensions: depth 356 mm, width—suitable for the specific cabinet dimensions
- Supply includes: mounting accessories

| Code | For cabinet width (mm) | Package |
|------------|------------------------|---------|
| ID-F-CDD6 | 600 | 1 set |
| ID-F-CDD8 | 800 | 1 set |
| ID-F-CDD10 | 1000 | 1 set |

PARTIAL MOUNTING PLATE



- Material: 3mm zinc-plated sheet steel
- Application: to create additional front and side mounting planes, the plates are versatile and can be mounted horizontally to the appropriate cabinet width or vertically to the appropriate cabinet depth
- Mounting: mount horizontally or vertically on the frame profiles or system rails
- Supply includes: mounting accessories

| Code | For cabinet width (mm) | For cabinet depth (mm) | Mounting plane height (mm) |
|--------------|------------------------|------------------------|----------------------------|
| ID-F-PMP0604 | 600 | – | 400 |
| ID-F-PMP0604 | – | 400 | 600 |
| ID-F-PMP0605 | 600 | – | 500 |
| ID-F-PMP0605 | – | 500 | 600 |
| ID-F-PMP0804 | 800 | – | 400 |
| ID-F-PMP0804 | – | 400 | 800 |
| ID-F-PMP0806 | 800 | – | 600 |
| ID-F-PMP0806 | – | 600 | 800 |
| ID-F-PMP1004 | 1000 | – | 400 |
| ID-F-PMP1004 | – | 400 | 1000 |
| ID-F-PMP1204 | 1200 | – | 400 |
| ID-F-PMP1204 | – | 400 | 1200 |

LOCKS/LOCK INSERTS



- Application: spare inserts instead of the standard 5 mm double-bar
- Supply includes: mounting accessories

| Code | Type | Package |
|-------------|--|---------|
| ID-F-INLK1 | Lock for inTEG FSE/FSM, key 5333 | 1 set |
| ID-F-INLK3 | Lock for inTEG FSE/FSM, unique key | 1 set |
| ID-F-INS7 | Lock insert 7 mm SQUARE, black zamak | 1 set |
| ID-F-INS8 | Lock insert 8 mm SQUARE, black zamak | 1 set |
| ID-F-INT7 | Lock insert 7 mm TRIANGULAR, black zamak | 1 set |
| ID-F-INT8 | Lock insert 8 mm TRIANGULAR, black zamak | 1 set |
| ID-F-INLKE1 | Lockable VW 1 cap | 1 set |
| ID-F-INSS | Complete handle | 1 set |
| ID-F-INSSA | Door plate double-bar 5 mm | 1 set |

EARTHING



- Material: tinned copper
- Supply includes: various lengths and cross-sections of flat conductors with pressed contact holes with an M8 opening

| Code | Type | Package |
|----------|---|---------|
| ID-F-EK1 | Flat earthing conductor for M8, length 200 mm, cross-section 16 mm ² | 10 pcs |
| ID-F-EK2 | Flat earthing conductor for M8, length 200 mm, cross-section 25 mm ² | 10 pcs |
| ID-F-EK3 | Flat earthing conductor for M8, length 300 mm, cross-section 16 mm ² | 10 pcs |
| ID-F-EK4 | Flat earthing conductor for M8, length 300 mm, cross-section 25 mm ² | 10 pcs |

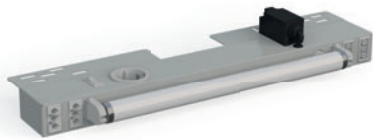
FASTENERS



- Supply includes: M6x16 ISO 7380 Zn (ID-W-SMS6x16) cage nuts, screws, hinge, pull-out brackets and fasteners for FSM (ID-F-CK)

| Code | Description | Package |
|--------------|---|---------|
| ID-W-CNM6 | Cage nut M6 | 10 pcs |
| ID-W-SMS6x16 | Screw M6x16, ISO 7380, Zn | 10 pcs |
| ID-W-CNM8 | Cage nut M8 | 10 pcs |
| ID-W-SMS8x16 | Screw M8x16, ISO 7380, Zn | 10 pcs |
| ID-F-CK | Hinge, pull-out brackets, replacement fasteners for FSM | 1 set |

FLUORESCENT LAMPS WITH A DOOR SWITCH AND SOCKET



- Material: powder coated sheet steel
- Application: to light up the interior of the cabinet, option of connecting several light fixtures
- Mounting: mount on FSM frames
- Degree of protection: IP20
- Supply includes: complete lighting unit with door switch and Schuko/UTE socket, potential-free contact for control of switchboard temperature control elements, connection connector

| Code | Typ | Package |
|-----------------|---|---------|
| ID-F-L14SKR-SCH | For FSE/FSM cabinet W 600 mm, 14W, 230 V AC, 50 Hz, socket Schuko | 1 pc |
| ID-F-L18SKR-SCH | For FSE/FSM cabinet W 800 mm, 18W, 230 V AC, 50 Hz, socket Schuko | 1 pc |
| ID-F-L14SKR-CZ | For FSE/FSM cabinet W 600 mm, 14W, 230 V AC, 50 Hz, socket UTE | 1 pc |
| ID-F-L18SKR-CZ | For FSE/FSM cabinet W 800 mm, 18W, 230 V AC, 50 Hz, socket UTE | 1 pc |
| ID-F-LN30 | Power supply cord orange, length 3m, 3x1.5mm ² | 1 pc |
| ID-F-LL30 | Power supply cord orange, length 3m, 3x0.75mm ² | 1 pc |
| ID-F-LAC166STG | Connector for the inter-connection cable gray | 1 pc |
| ID-F-LAB-14 | Plastic cover for lamps 14W | 1 pc |
| ID-F-LAB-18 | Plastic cover for lamps 18W | 1 pc |
| ID-F-LV-06 | Inter-connection cable, length 0.6 m | 1 pc |
| ID-F-LV-12 | Inter-connection cable, length 1.0 m | 1 pc |

LED LIGHT



- Material: PC, transparent and ABS
- Application: to light up the interior of the cabinet, option of connecting several light fixtures
- Mounting: mount onto the frame profiles or by magnets
- Dimensions: 357.4 × 32 × 31.16 mm
- Degree of protection: IP20
- Supply includes: complete lighting unit with rocker switch, inter-connection cables

| Code | Type | Package |
|--------|---|---------|
| ID-F-L | Lighting unit LED 4 W, 24-265 V (DC/AC), 0/50/60 Hz | 1 pc |

POCKETS FOR DOCUMENTS



- Material: ABS
- Color: RAL 7035
- Dimensions: 234 × 241 × 31 mm (H × W × D)
- Mounting: with a self-adhesive tape
- Supply includes: pocket for documents and self-adhesive tape



- Material: 1mm sheet steel
- Color: RAL 7035
- Mounting: onto the door frame
- Supply includes: pocket for documents and mounting accessories

| Code | Package |
|----------|---------|
| ID-PO-A4 | 1 pc |

| Code | For door/wing dimensions (mm) | Package |
|-----------|-------------------------------|---------|
| ID-F-MP06 | 600 | 1 set |
| ID-F-MP08 | 800 | 1 set |
| ID-F-MP10 | 1000 | 1 set |

FILTER FANS



MAIN ADVANTAGES

- Quick assembly without screws and tools into a square cut-out, easy to mount with highly elastic clips
- Easy filter insert replacement from the outside without tools
- Possible to change airflow direction
- Airflow up to 800 m³/h
- Can be mounted in a cabinet with a sheet thickness of 1-2.5 mm
- IP 54 standard degree of protection
- Side and top ventilator placement
- Operating temperature range -10 °C up to +70 °C
- Polyurethane foam sealing around the whole perimeter
- Resistance against UV radiation
- Holes for installation in the CONTEG Modification Center

DESCRIPTION

- Plastic parts made of ABS/PC mix, all parts are self-extinguishing according to UL 94V-0
- Standard color RAL 7035 (different color on request)
- Filter inserts made of synthetic fibres of class G3 according to EN

- 779 and class G4 according to EN 779 and UL 900 class 2 self-extinguishing in class F1 according to DIN 53 438
- Filter inserts are cleaned by washing, compressed air and banging

- Encapsulated fan ball bearings
- IP54 standard degree of protection EN 60529 and NEMA 12 according to UL 50
- IP55 settable (according to EN 60529)

- IP56 when using protective cover against splashing water
- EMC version available on request

Fans

| Code | Airflow | Dimensions H × W × D | Voltage ** | Frequency | Outlet filter grid | Cut-out dimensions | Degree of protection |
|---------------|---------------------------|-------------------------|--------------|-----------|--------------------|------------------------------------|----------------------|
| ID-EF-01-4 | 12/15 m ³ /h | 106.5 × 106.5 × 59.9 mm | 230 VAC | 50/60 Hz | ID-EF-01 | 92 × 92 mm | IP54 |
| ID-EF-01-1 | 15 m ³ /h | 106.5 × 106.5 × 59.9 mm | 24 VDC | – | ID-EF-01 | 92 × 92 mm | IP54 |
| ID-EF-04-4 | 45/50 m ³ /h | 150 × 150 × 65.5 mm | 230 VAC | 50/60 Hz | ID-EF-03 | 125 × 125 mm | IP54 |
| ID-EF-04-1 | 47 m ³ /h | 150 × 150 × 65.5 mm | 24 VDC | – | ID-EF-03 | 125 × 125 mm | IP54 |
| ID-EF-10-4 | 100/110 m ³ /h | 203.9 × 203.9 × 87.5 mm | 230 VAC | 50/60 Hz | ID-EF-05 | 177 × 177 mm | IP54 |
| ID-EF-10-1 | 100 m ³ /h | 203.9 × 203.9 × 87.5 mm | 24 VDC | – | ID-EF-05 | 177 × 177 mm | IP54 |
| ID-EF-23-4 | 230/270 m ³ /h | 250 × 250 × 115.3 mm | 230 VAC | 50/60 Hz | ID-EF-07 | 223 × 223 mm | IP54 |
| ID-EF-22-1 | 225 m ³ /h | 250 × 250 × 115.3 mm | 24 VDC | – | ID-EF-07 | 223 × 223 mm | IP54 |
| ID-EF-52-4 | 520/580 m ³ /h | 325 × 325 × 150.7 mm | 230 VAC | 50/60 Hz | ID-EF-09 | 291 × 291 mm | IP54 |
| ID-EF-71-4 | 710/800 m ³ /h | 325 × 325 × 149 mm | 230 VAC | 50/60 Hz | ID-EF-09 | 291 × 291 mm | IP54 |
| ID-EFT-42-4 * | 420/490 m ³ /h | 324 × 324 × 94 mm | 230 VAC | 50/60 Hz | ID-EF-09 | fan 175 × 175 mm/grid 291 × 291 mm | IP54 |
| ID-EO-TC | Thermostat for cooling | 55 × 33 × 43 mm | 250 VAC/10 A | – | – | – | IP20 |

* Top version.

** Other input voltage options available upon request.

For more detailed information, please refer to the product catalog "Climate control solutions" at www.conteg.com or contact our sales representatives.

COOLING UNITS



MAIN ADVANTAGES

- Cooling capacity from 320 W up to 4 000 W
- Easy maintenance—units don't require filter inserts
- Higher cooling capacity and reliability thanks to highly efficient condenser made of aluminum
- Units are environmentally friendly—cooling medium R134a
- Robust stainless steel cases
- Simple regulation and monitoring
- Easy and fast mounting (side and top version)
- High-quality components ensure long service life and reliability (such as the Mitsubishi Electric rotary piston compressor)
- Transport units in any position
- World-recognized certifications (CE, cURus, cULus)
- Holes for installation in the CONTEG Modification Center

DESCRIPTION

| | | | |
|---|---|---|---|
| <p>Material</p> <ul style="list-style-type: none"> • Sheet steel/stainless steel <p>Cooling medium</p> <ul style="list-style-type: none"> • R134a | <p>Degree of protection</p> <ul style="list-style-type: none"> • Outer circle IP54 • Inner circle IP24 | <p>Mounting type</p> <ul style="list-style-type: none"> • External • Fully recessed <p>Certification</p> <ul style="list-style-type: none"> • CE, cURus, cULus | <p>Supply includes:</p> <ul style="list-style-type: none"> • Unit prepared for connection and immediate use |
|---|---|---|---|

Cooling units SLIM (wall-mounted or fully recessed mounting)

| Code | Cooling capacity | Dimensions H × W × D | Voltage * | Frequency | Version | Cut-out dimensions | Degree of protection |
|----------------|------------------|----------------------|-----------|-----------|-----------------|--------------------|----------------------|
| AC-WM3-03-4200 | 320 W | 520 × 270 × 110 mm | 230 VAC | 50/60 Hz | Stainless steel | 501 × 251 mm | IP54/IP24 |
| AC-WM3-04-4200 | 400 W | 520 × 320 × 110 mm | 230 VAC | 50/60 Hz | Stainless steel | 504 × 308 mm | IP54/IP24 |
| AC-WM3-05-4200 | 500 W | 600 × 320 × 110 mm | 230 VAC | 50/60 Hz | Stainless steel | 581 × 301 mm | IP54/IP24 |
| AC-WM3-08-4200 | 820 W | 980 × 395 × 145 mm | 230 VAC | 50/60 Hz | Stainless steel | 954 × 376 mm | IP54/IP24 |
| AC-WM3-08-6200 | 820 W | 980 × 395 × 145 mm | 400 VAC | 50/60 Hz | Stainless steel | 954 × 376 mm | IP54/IP24 |
| AC-WM3-11-4200 | 1100 W | 1250 × 395 × 145 mm | 230 VAC | 50/60 Hz | Stainless steel | 1214 × 376 mm | IP54/IP24 |
| AC-WM3-11-6200 | 1100 W | 1250 × 395 × 145 mm | 400 VAC | 50/60 Hz | Stainless steel | 1214 × 376 mm | IP54/IP24 |
| AC-WM3-15-4200 | 1500 W | 1550 × 395 × 145 mm | 230 VAC | 50/60 Hz | Stainless steel | 1531 × 376 mm | IP54/IP24 |
| AC-WM3-15-6200 | 1500 W | 1550 × 395 × 145 mm | 400 VAC | 50/60 Hz | Stainless steel | 1531 × 376 mm | IP54/IP24 |

* Other input voltage options available upon request.

Cooling units COMPACT (wall-mounted)

| Code | Cooling capacity | Dimensions H × W × D | Voltage * | Frequency | Material | Cut-out dimensions | Degree of protection |
|----------------|------------------|----------------------|-----------|-----------|-----------------|--------------------|----------------------|
| AC-WM4-03-4200 | 320/360 W | 500 × 280 × 200 mm | 230 VAC | 50/60 Hz | Stainless steel | 480 × 240 mm | IP54/IP24 |
| AC-WM4-05-4200 | 550/620 W | 650 × 315 × 260 mm | 230 VAC | 50/60 Hz | Stainless steel | 635 × 275 mm | IP54/IP24 |
| AC-WM4-05-6200 | 550/620 W | 650 × 315 × 260 mm | 400 VAC | 50/60 Hz | Stainless steel | 635 × 275 mm | IP54/IP24 |
| AC-WM4-08-4200 | 750/780 W | 650 × 315 × 260 mm | 230 VAC | 50/60 Hz | Stainless steel | 635 × 275 mm | IP54/IP24 |
| AC-WM4-08-6200 | 750 W | 650 × 315 × 260 mm | 400 VAC | 50/60 Hz | Stainless steel | 635 × 275 mm | IP54/IP24 |
| AC-WM4-10-4200 | 1000/1080 W | 650 × 315 × 260 mm | 230 VAC | 50/60 Hz | Stainless steel | 635 × 275 mm | IP54/IP24 |
| AC-WM4-10-6200 | 1 000 W | 650 × 315 × 260 mm | 400 VAC | 50/60 Hz | Stainless steel | 635 × 275 mm | IP54/IP24 |
| AC-WM4-15-4200 | 1500/1630 W | 980 × 395 × 260 mm | 230 VAC | 50/60 Hz | Stainless steel | 920 × 335 mm | IP54/IP24 |
| AC-WM4-15-6200 | 1500 W | 980 × 395 × 260 mm | 400 VAC | 50/60 Hz | Stainless steel | 920 × 335 mm | IP54/IP24 |
| AC-WM4-20-4200 | 2 000 W | 980 × 395 × 260 mm | 230 VAC | 50/60 Hz | Stainless steel | 920 × 335 mm | IP54/IP24 |
| AC-WM4-20-6200 | 2 000 W | 980 × 395 × 260 mm | 400 VAC | 50/60 Hz | Stainless steel | 920 × 335 mm | IP54/IP24 |
| AC-WM4-25-4200 | 2 500 W | 1230 × 500 × 340 mm | 230 VAC | 50/60 Hz | Stainless steel | 1130 × 430 mm | IP54/IP24 |
| AC-WM4-25-6200 | 2 500 W | 1230 × 500 × 340 mm | 400 VAC | 50/60 Hz | Stainless steel | 1130 × 430 mm | IP54/IP24 |
| AC-WM4-30-4200 | 3 000 W | 1230 × 500 × 340 mm | 230 VAC | 50/60 Hz | Stainless steel | 1130 × 430 mm | IP54/IP24 |
| AC-WM4-30-6200 | 3 000 W | 1230 × 500 × 340 mm | 400 VAC | 50/60 Hz | Stainless steel | 1130 × 430 mm | IP54/IP24 |
| AC-WM4-40-4200 | 4 000 W | 1230 × 500 × 340 mm | 230 VAC | 50/60 Hz | Stainless steel | 1130 × 430 mm | IP54/IP24 |
| AC-WM4-40-6200 | 4 000 W | 1230 × 500 × 340 mm | 400 VAC | 50/60 Hz | Stainless steel | 1130 × 430 mm | IP54/IP24 |

* Other input voltage options available upon request.

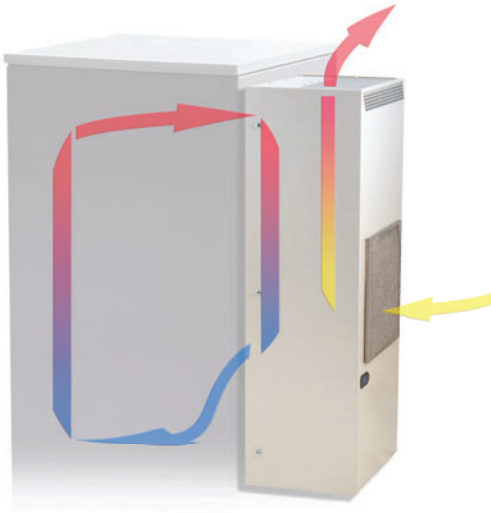
Cooling units TOP (top mounting)

| Code | Cooling capacity | Dimensions H × W × D | Voltage * | Frequency | Material | Cut-out dimensions | Degree of protection |
|----------------|------------------|----------------------|-----------|-----------|-----------------|----------------------------|----------------------|
| AC-TM3-04-4200 | 450/460 W | 230 × 430 × 330 mm | 230 VAC | 50/60 Hz | Stainless steel | 142 × 98 mm/142 × 147,5 mm | IP54/IP24 |
| AC-TM3-11-4200 | 1100/1150 W | 400 × 600 × 400 mm | 230 VAC | 50/60 Hz | Stainless steel | 108 × 530 mm (×2) | IP54/IP24 |
| AC-TM3-11-6200 | 1100/1150 W | 400 × 600 × 400 mm | 400 VAC | 50/60 Hz | Stainless steel | 108 × 530 mm (×2) | IP54/IP24 |
| AC-TM3-15-4200 | 1500 W | 410 × 600 × 400 mm | 230 VAC | 50/60 Hz | Stainless steel | 363 × 236.4 mm (×2) | IP54/IP24 |
| AC-TM3-15-6200 | 1500 W | 410 × 600 × 400 mm | 400 VAC | 50/60 Hz | Stainless steel | 363 × 236.4 mm (×2) | IP54/IP24 |
| AC-TM3-20-6200 | 2 000 W | 410 × 600 × 400 mm | 400 VAC | 50/60 Hz | Stainless steel | 363 × 236.4 mm (×2) | IP54/IP24 |

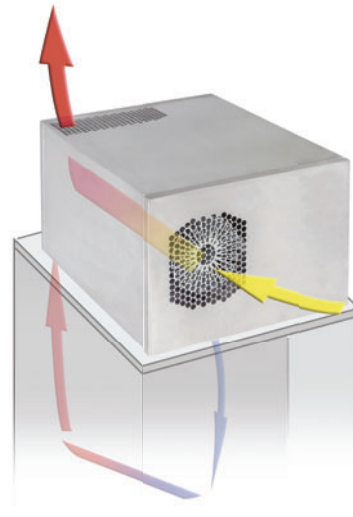
* Other input voltage options available upon request.

COOLING UNITS AIR FLOW

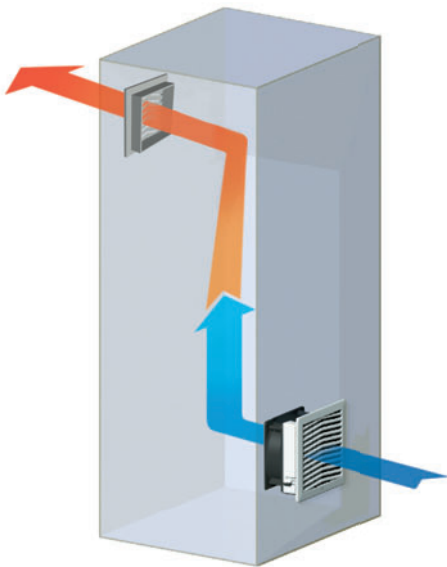
Cooling units—
wall-mounted



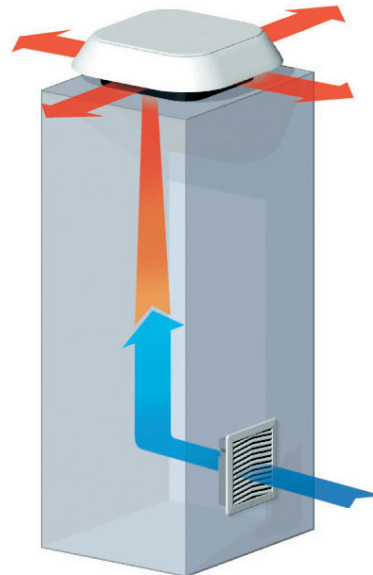
Cooling units—top



Fans—wall-mounted



Fans—top

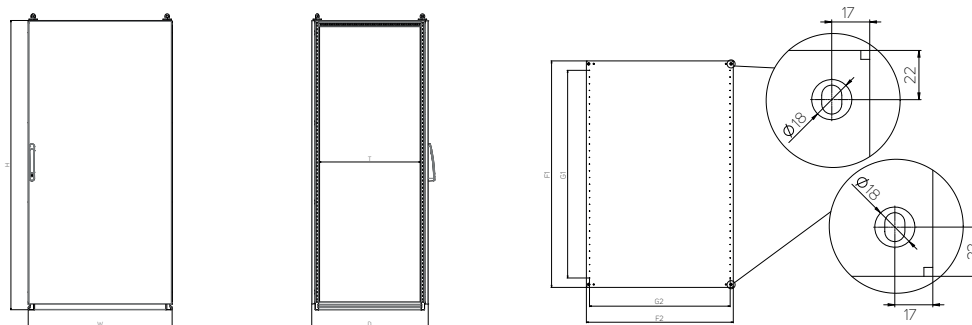


For more detailed information, please refer to the product catalog "Climate control solutions" at www.conteg.com or contact our sales representatives.

FSM-O—FREE-STANDING COMPACT STAINLESS STEEL CABINETS

TECHNICAL DRAWINGS

FSM-O—free-standing compact outdoor cabinets—
stainless steel



| Code | Height (mm) | Width (mm) | Depth (mm) | | Mounting plate (mm) | | | | Material thickness (mm) | | | # of doors |
|--------------|-------------|------------|------------|-----|---------------------|-----|------|-----|-------------------------|------|----------------|------------|
| | H * | W * | D * | T | F1 | F2 | G1 | G2 | Cabinet | Door | Mounting plate | |
| FSM-O-140603 | 1400 | 600 | 300 | 210 | 1291.2 | 497 | 1150 | 450 | 1.5 | 2 | 3 | 1 |
| FSM-O-140604 | 1400 | 600 | 400 | 310 | 1291.2 | 497 | 1150 | 450 | 1.5 | 2 | 3 | 1 |
| FSM-O-160604 | 1600 | 600 | 400 | 310 | 1491.2 | 497 | 1350 | 450 | 1.5 | 2 | 3 | 1 |
| FSM-O-160803 | 1600 | 800 | 300 | 210 | 1491.2 | 697 | 1350 | 650 | 1.5 | 2 | 3 | 1 |
| FSM-O-160804 | 1600 | 800 | 400 | 310 | 1491.2 | 697 | 1350 | 650 | 1.5 | 2 | 3 | 1 |
| FSM-O-161003 | 1600 | 1000 | 300 | 210 | 1491.2 | 897 | 1350 | 850 | 1.5 | 2 | 3 | 1 |
| FSM-O-161004 | 1600 | 1000 | 400 | 310 | 1491.2 | 897 | 1350 | 850 | 1.5 | 2 | 3 | 1 |
| FSM-O-180604 | 1800 | 600 | 400 | 310 | 1691.2 | 497 | 1550 | 450 | 1.5 | 2 | 3 | 1 |
| FSM-O-180803 | 1800 | 800 | 300 | 210 | 1691.2 | 697 | 1550 | 650 | 1.5 | 2 | 3 | 1 |
| FSM-O-180804 | 1800 | 800 | 400 | 310 | 1691.2 | 697 | 1550 | 650 | 1.5 | 2 | 3 | 1 |
| FSM-O-181004 | 1800 | 1000 | 400 | 310 | 1691.2 | 897 | 1550 | 850 | 1.5 | 2 | 3 | 1 |
| FSM-O-200603 | 2000 | 600 | 300 | 210 | 1891.2 | 497 | 1750 | 450 | 1.5 | 2 | 3 | 1 |
| FSM-O-200604 | 2000 | 600 | 400 | 310 | 1891.2 | 497 | 1750 | 450 | 1.5 | 2 | 3 | 1 |
| FSM-O-200803 | 2000 | 800 | 300 | 210 | 1891.2 | 697 | 1750 | 650 | 1.5 | 2 | 3 | 1 |
| FSM-O-200804 | 2000 | 800 | 400 | 310 | 1891.2 | 697 | 1750 | 650 | 1.5 | 2 | 3 | 1 |
| FSM-O-200805 | 2000 | 800 | 500 | 410 | 1891.2 | 697 | 1750 | 650 | 1.5 | 2 | 3 | 1 |
| FSM-O-201004 | 2000 | 1000 | 400 | 310 | 1891.2 | 897 | 1750 | 850 | 1.5 | 2 | 3 | 1 |

* Internal dimensions: H—90 mm, W—90 mm, D—90 mm.

HEAT LOSS DISPERSION

FSM-O—free-standing compact outdoor stainless steel cabinets—
measured with heat inside cabinet $\Delta T = 15\text{ K}$

| Code | Cabinet dimensions (mm) | | | Thickness of the material (mm) | | Number of doors (pcs) | Total area of cabinet (m ²) | Total power dissipation (W) |
|--------------|-------------------------|-------|-------|--------------------------------|------|-----------------------|---|-----------------------------|
| | Height | Width | Depth | Body | Door | | | |
| FSM-O-140603 | 1400 | 600 | 300 | 1.5 | 2.00 | 1 | 2.880 | 152.6 |
| FSM-O-140604 | 1400 | 600 | 400 | 1.5 | 2.00 | 1 | 3.280 | 169.2 |
| FSM-O-160604 | 1600 | 600 | 400 | 1.5 | 2.00 | 1 | 3.680 | 190.5 |
| FSM-O-160803 | 1600 | 800 | 300 | 1.5 | 2.00 | 1 | 4.000 | 216.6 |
| FSM-O-160804 | 1600 | 800 | 400 | 1.5 | 2.00 | 1 | 4.480 | 236.4 |
| FSM-O-161003 | 1600 | 1000 | 300 | 1.5 | 2.00 | 1 | 4.760 | 260.8 |
| FSM-O-161004 | 1600 | 1000 | 400 | 1.5 | 2.00 | 1 | 5.280 | 282.3 |
| FSM-O-180604 | 1800 | 600 | 400 | 1.5 | 2.00 | 1 | 4.080 | 211.8 |
| FSM-O-180803 | 1800 | 800 | 300 | 1.5 | 2.00 | 1 | 4.440 | 241.2 |
| FSM-O-180804 | 1800 | 800 | 400 | 1.5 | 2.00 | 1 | 4.960 | 262.6 |
| FSM-O-181004 | 1800 | 1000 | 400 | 1.5 | 2.00 | 1 | 5.840 | 313.4 |
| FSM-O-200603 | 2000 | 600 | 300 | 1.5 | 2.00 | 1 | 3.960 | 211.7 |
| FSM-O-200604 | 2000 | 600 | 400 | 1.5 | 2.00 | 1 | 4.480 | 233.2 |
| FSM-O-200803 | 2000 | 800 | 300 | 1.5 | 2.00 | 1 | 4.880 | 265.8 |
| FSM-O-200804 | 2000 | 800 | 400 | 1.5 | 2.00 | 1 | 5.440 | 288.9 |
| FSM-O-200805 | 2000 | 800 | 500 | 1.5 | 2.00 | 1 | 6.000 | 312.0 |
| FSM-O-201004 | 2000 | 1000 | 400 | 1.5 | 2.00 | 1 | 6.400 | 344.6 |

Do you need a customized solution?

Use services of our **CONTEG Modification Center**.



➤ Individual orders are fulfilled in the **modification center, which is a part of a modern industrial enterprise in Pelhrimov**. The center also has a MODCentrum 29 CNC milling machine. We can cut holes for filter fans, coolers, control panels, and buttons. The cabinets can be made of sheet steel, stainless steel (AISI 304 and 316L) or aluminum.

Cutouts can be made on flat removable parts of the rack walls (doors, cable entries, side panels, roofs and mounting plates), as well as in welded monolithic cabinets.



For more information please contact our sales or technical team at www.conteg.com/contacts

CONTEG, spol. s r.o.

Stetkova 1638/18

140 00 Prague 4

Czech Republic

Tel.: +420 565 300 358

conteg@conteg.com

www.conteg.com

CONTEG