



DATASHEET
Free-Standing
Racks
iSEVEN Server

CONTEG

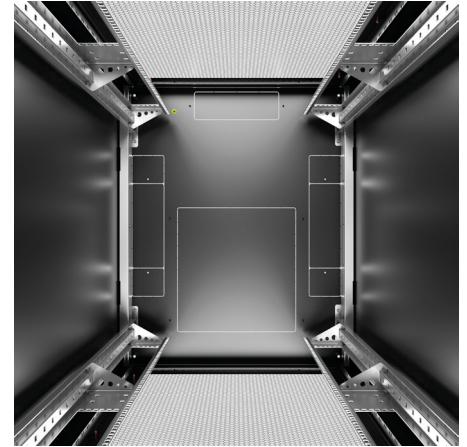
FREE-STANDING RACKS

iSEVEN SERVER




RI7-42-80/100-S2-H

➤ The **iSEVEN Server** rack is ideal for anyone who needs to house servers properly. It combines our day-to-day rack with the highly valuable features of our RSF pure server rack.



MAIN ADVANTAGES

- Server rack for standard IT hardware up to 1500 kg
- Unmatched 86% door perforation ratio decreases server fan power consumption
- Extrusions support Zero U (0U) PDU

COLOR:  RAL 9005  RAL 7035

DESCRIPTION

Size

- Height: 42, 45, 48U
- Width: 600, 800 mm
- Depth: 1000, 1200 mm

Construction

- Welded-frame design
- 1.5 & 2 mm sheet steel

Load rating

- 1500 kg

19" vertical extrusions

- A-type extrusions, non-divided (600 or 800 mm wide) extrusions without horizontal holders (for 800 mm provide additional 24U of installation space); adjustable from inside, blank panels not included.

IP rating

- Standard IP 20

Color

- Standard: RAL 9005, RAL 7035
- Other colors on request

Front door

- Perforated door—perforation rate 86 %
- Swivel handle lock—DIN profile, universal key EK333, single point
- Door opening angle 180°
- Easy re-hanging to open on right or left

Rear door

- Perforated doors—perforation rate 86 %, vertically split version available—option S3
- Swivel handle lock—DIN profile, universal key EK333, single point
- Vertically divided door with perforation—perforation rate 86 %, together with multi-point lock
- Door opening angle 180°
- Easy re-hanging to open on right or left

Side panels

- Removable, with locks

Knock-out openings—cable entry

- Universal size 300×100 mm—rear side of top and bottom plate
- Universal openings can be covered by blank panels (ordered separately)
- Extended size 500×115 mm—only for 800 mm width—both sides of top and bottom plate. Consists of three parts—300×115 mm and two parts—100×115 mm, each of which can be opened individually.
- Extended opening can be covered by a blank panel or standard cable brush—middle opening. Opening can be protected by rubber edge piece (DP-KP-LEM-6) or brush (DP-KP-KAR-6).
- 4" (100 mm) rounded cable entry in every top corner covered by plastic cap

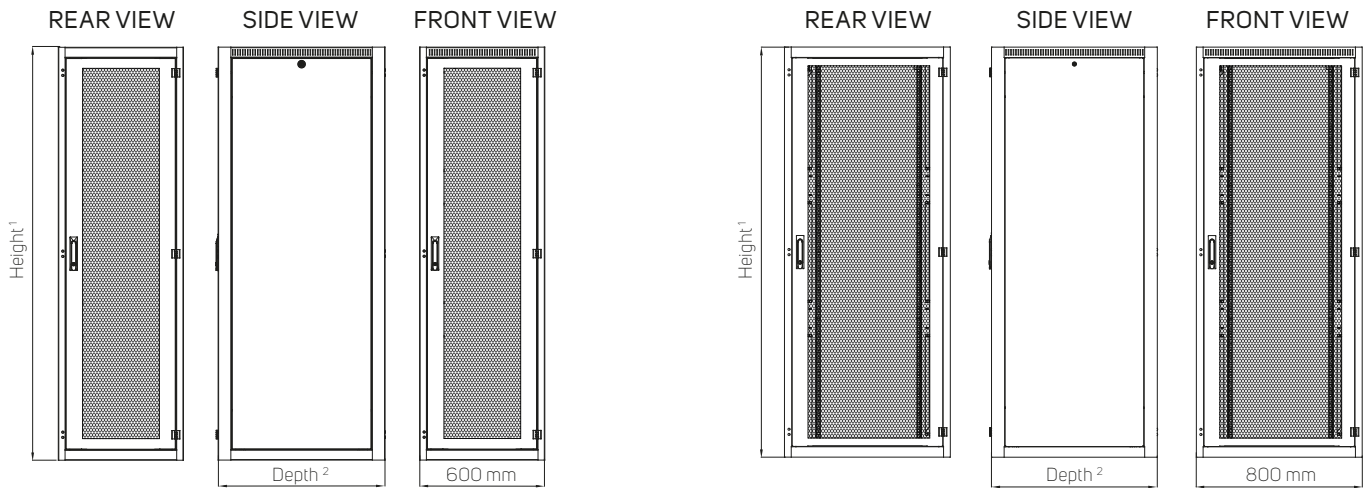
Knock-out openings—ventilation unit installation

- Standard size—420×440 mm for 1000 mm depth—420×280 mm (2×) for 1200 mm depth
- Available in top and bottom plate
- Can be covered with blank panels (ordered separately)

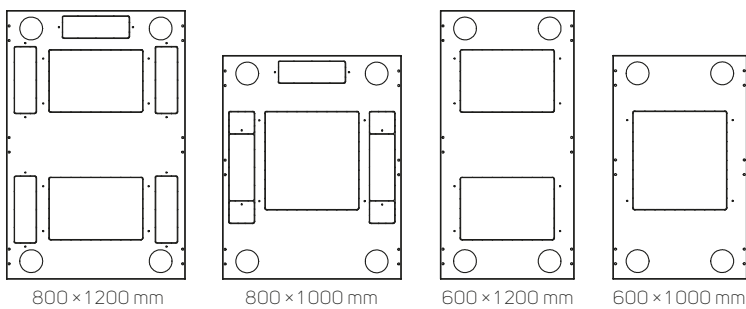
Other

- OptiWay system support—12× M6 nuts on the upper frame

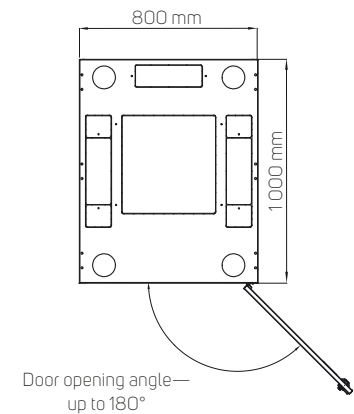
ISEVEN Server racks—technical drawing



TOP VIEW



EXAMPLE—OPENED DOOR



¹ Available heights:

- for width 600 mm: 42U/1978 mm, 45U/2 111 mm, 48U/2 245 mm
- for width 800 mm: 42U/1978 mm, 45U/2 111 mm, 48U/2 245 mm

² Available depths:

- for width 600 mm: 1000, 1200 mm
- for width 800 mm: 1000, 1200 mm

Ventilation unit openings

1000 mm rack depth—420 × 440 mm

1200 mm rack depth—420 × 280 mm (2×)

Cable entries

300 × 100 mm 1× on top and bottom—rear (for 600 mm width)

300 × 100 mm 5× on top and bottom—rear (for 600 mm width, 1200 mm deep rack)

500 × 115 mm 2× on top and bottom—side (for 800 mm width)

100 mm (4") 4× on top—every corner, round cable entry covered by plastic cap

Technical data and dimensions

Code *	Height (in U)	Width (mm)	Depth (mm)
RI7-42-60/100-S1-X	42	600	1000
RI7-42-60/120-S1-X	42	600	1200
RI7-45-60/100-S1-X	45	600	1000
RI7-45-60/120-S1-X	45	600	1200
RI7-48-60/100-S1-X	48	600	1000
RI7-48-60/120-S1-X	48	600	1200
RI7-42-80/100-S2-X	42	800	1000
RI7-42-80/120-S2-X	42	800	1200
RI7-45-80/100-S2-X	45	800	1000
RI7-45-80/120-S2-X	45	800	1200
RI7-48-80/100-S2-X	48	800	1000
RI7-48-80/120-S2-X	48	800	1200

Code *	Height (in U)	Width (mm)	Depth (mm)
RI7-42-60/100-S3-X	42	600	1000
RI7-42-60/120-S3-X	42	600	1200
RI7-45-60/100-S3-X	45	600	1000
RI7-45-60/120-S3-X	45	600	1200
RI7-48-60/100-S3-X	48	600	1000
RI7-48-60/120-S3-X	48	600	1200
RI7-42-80/100-S3-X	42	800	1000
RI7-42-80/120-S3-X	42	800	1200
RI7-45-80/100-S3-X	45	800	1000
RI7-45-80/120-S3-X	45	800	1200
RI7-48-80/100-S3-X	48	800	1000
RI7-48-80/120-S3-X	48	800	1200

* Instead of "X" write "H" for black (RAL 9005) or "B" for gray (RAL 7035).

Ordering and shipping information

Configurations, mentioned in the table above, can not be changed.

Please note that **all ISEVEN Server racks are delivered fully assembled** and palletized.



CONTEG, spol. s r.o.

Stetkova 1638/18

140 00 Prague 4

Czech Republic

Tel.: +420 565 300 358

conteg@conteg.com

www.conteg.com

CONTEG