

DATASHEET
Free-standing
racks for notebooks
EDURACK-3

CONTEG

FREE-STANDING RACKS

EDURACK-3 FOR NOTEBOOKS AND LAPTOPS



RE-32280003

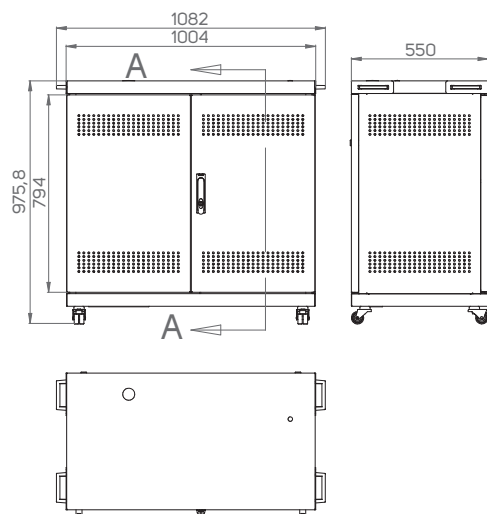
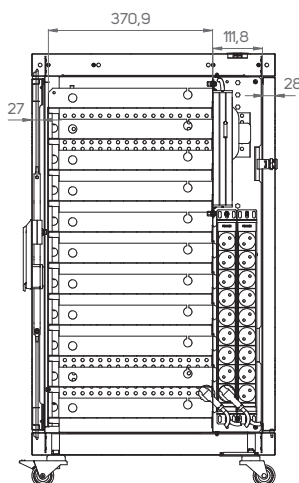
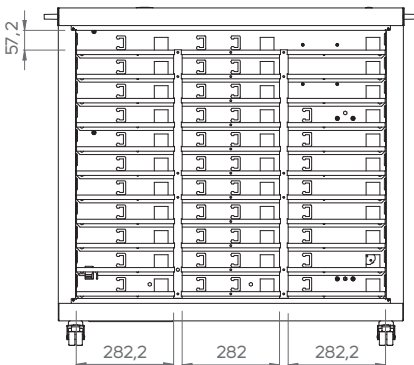


➤ **EDURACK-3** was designed for safe and convenient storage of notebooks and laptops in the educational environment. Provides smart equipment recharge, with digital programmer and surge protection.

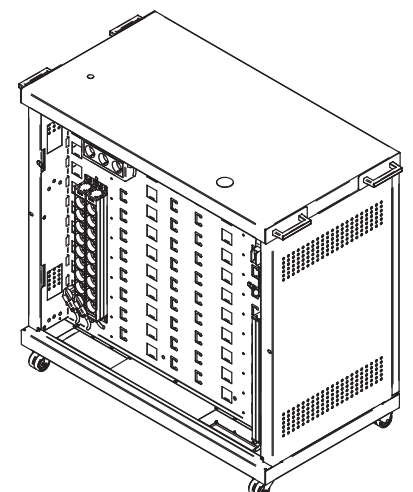
MAIN ADVANTAGES

- Capacities of 30 notebooks/laptops (up to 15.6") and 20 laptops 17"
- One additional tray for a Laptop, WiFi access point or extra space.
- Double front door with 3 locking points for security.
- Back panel with double lock.
- Trays and rack with ventilation slots.
- 4 caster wheels, both front with brake. Ergonomic handles for an easier transport.
- Made of steel, finishing in epoxy paint (rust-free and highly resistant). Standard colour: black RAL 9005 and white RAL 9002.
- 4x PDU's of 9 schukos each (34 useful total) +1x PDU of 2 schukos with thermal circuit breaker as a protection of installation.
- Programmable digital timer to select how long and when to recharge.
- Isolation of the storage section from the electrical part. Side entry of each power connector for each laptop with protective glands.
- Specific attachments at the back for the battery chargers of the Notebooks/Laptops.
- Options: Modular fan unit with two fans and thermostat. Other PDU's configurations.

COLOR:  RAL 9005/RAL9002



Note: All dimensions in mm



Code	Height (mm)	Width (mm)	Depth (mm)
RE-32280003	976	1082	550



CONTEG, spol. s r.o.

Stetkova 1638/18

140 00 Prague 4

Czech Republic

Tel.: +420 565 300 358

info@conteg.com

www.conteg.com

CONTEG