



DATASHEET
Enclosures
for electronics

CONTEG

SERIE 68



- High impact die-cast **Serie 68** universal enclosures for electronics with protection class IP68. Range of ten sizes where high resistance and protection are required—also ideal for EMI/RFI shielded applications (removing the gasket).

DESCRIPTION

- Protection class: IP68 IS/IEC 60529:2001—DIN EN6059
- Standard unit includes: base, lid, silicon gasket (assembled in the lid), 2× M4 (for model RE-310168001) or 4× M4 or 4× M6 stainless screw (depending on model), 1× or 2× M4 earthing screws (copper coated)

MATERIALS AND FINISH

- Enclosure—aluminum alloy ENAC-GdAlSi12(Fe) DIN1706 (corrosion-resistant alloy)
- Gasket—silicon (−60 °C up to 200 °C); neoprene gasket on request (−40 °C up to 130 °C)
- Screws—stainless steel
- Standard finish: natural aluminum color, powder-coated Silver Grey (RAL 7001) and powder-coated Signal Black (RAL9004)
- Optional finish: other colours, hybrid powder (epoxy & polyester) and CMD-KTL coatings on request

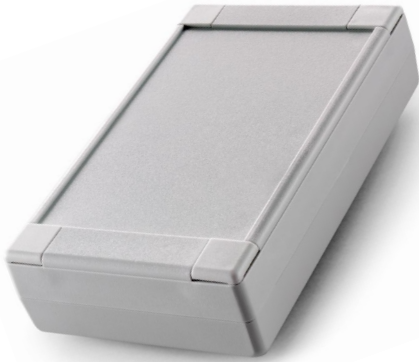
OPTIONAL

- Custom made drilling, silk-screen printing, other colors

Code for natural aluminium finish	Code for RAL 7001 powder coating finish	Code for RAL9004 powder coating finish	Height (mm)	Width (mm)	Depth (mm)
RE-31068001	RE-31068111	RE-31068201	45	50	30
RE-31068002	RE-31068112	RE-31068202	64	58	34
RE-31068003	RE-31068113	RE-31068203	75	80	57
RE-31068004	RE-31068114	RE-31068204	125	80	57
RE-31068005	RE-31068115	RE-31068205	175	80	57
RE-31068006	RE-31068116	RE-31068206	120	122	81
RE-31068007	RE-31068117	RE-31068207	120	122	91
RE-31068008	RE-31068118	RE-31068208	250	80	57
RE-31068009	RE-31068119	RE-31068209	100	100	81
RE-31068010	RE-31068120	RE-31068210	140	140	91



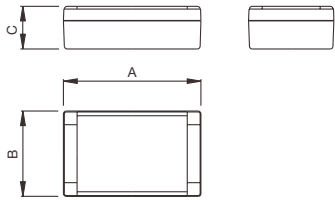
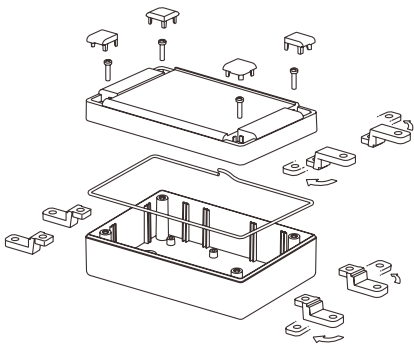
SERIE 70



➤ Universal **Serie 70** enclosures for electronics in high-impact design meet various application needs within the industrial, electronics and office automation industries. Made in high-quality, high-impact ABS, they allow excellent mechanization and are resistant to temperatures up to 85 °C. With EPDM O-ring gasket, will comply to IP 65 protection in respect of dust and moisture.

DESCRIPTION

- Protection class: IP65
- The two halves of the boxes are fixed together using metric screws into M3 inserts. These screw fixings are hidden by plastic covers.
- Bosses for circuits in all lids and base parts (except -01 and -02 lids)
- Resistant to temperatures up to 85 °C
- A keyboard area of different sizes is provided on both the top and base of the box further increasing its flexibility
- Wall mounting facility is provided in two ways, either by separately designed feet or by pre-punched holes in the base
- Guides for PCB in vertical mode are incorporated in the base and lid together with 5 mm high bosses for horizontal fixing
- Basic unit includes: lid, base, 4 bolts and 4 covers
- Accessories: O-ring gasket, EPDM rubber; multi-position wall mounting kit

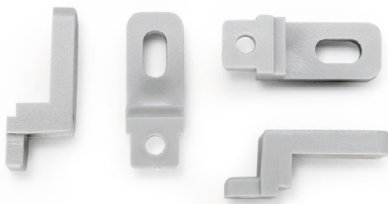


MATERIALS AND FINISH

- High-impact ABS plastic, excellent for machining
- Standard color: light grey—similar to RAL 7035, black—similar to RAL 9004

OPTIONAL

- Custom made drilling, silk-screen printing, internal EMI/RFI shielding, UL94V0 ABS, other colors



Code for RAL 7035 color	Code for RAL9004 color	Height (mm)	Width (mm)	Depth (mm)
RE-33070001	RE-33070201	90	55	25
RE-33070002	RE-33070202	90	55	40
RE-33070004	RE-33070204	110	85	35
RE-33070007	RE-33070207	127	75	30
RE-33070008	RE-33070208	127	75	45
RE-33070011	RE-33070211	145	90	45
RE-33070014	RE-33070214	190	120	60
RE-33070016	RE-33070216	220	145	50
RE-33070017	RE-33070217	220	145	80



SERIE 101



- **Serie 101** universal enclosures for electronics for standard applications with lid in light grey or black ABS plastic. Suitable for placement of membrane keyboards up to 1.2 mm.

DESCRIPTION

- Modern aesthetics with square edges and rounded lateral sides
- Lid mounted by four M3 bolts, hidden by self-adapting rubber plugs
- Double, lid and bottom, recessed area allows membrane keypads
- Polished finish that allows an easy cleaning of the surface
- Maximum internal volume
- Bosses for mounting PCB in the base
- Resistant to temperatures up to 85 °C
- Basic unit includes: lid, base, 4 bolts and 4 plugs

MATERIALS AND FINISH

- Lid and bottom—high impact ABS plastic, excellent for machining
- Plugs—rubber
- Standard color: light grey—similar to RAL 7035

OPTIONAL

- Custom-made special drilling, silk-screen printing, internal painting to achieve EMI/RFI shielding (graphite, copper or nickel base, depending on desired value of protection), self-extinguishing ABS material UL 94 VO rate, other colors available upon request

Code for RAL 7035 Light Grey	Height (mm)	Width (mm)	Depth (mm)
RE-33101001	90	50	35
RE-33101002	110	60	40
RE-33101003	125	75	50
RE-33101004	155	95	60
RE-33101005	190	115	75
RE-33101006	220	140	90



SERIE 102



- **Serie 102** universal enclosures for electronics are suitable for applications where there is a need for a transparent lid, such as applications including LCD's or counters with visual inspection. Lid in high resistance polycarbonate plastic, bronze coloured. Allows 1.2 mm membrane keypads.

DESCRIPTION

- Modern aesthetics with square edges and rounded lateral sides
- Lid mounted by four M3 bolts, hidden by self-adapting rubber plugs
- Double, lid and bottom, recessed area allows membrane keypads
- Polished finish that allows an easy cleaning of the surface
- Maximum internal volume
- Bosses for mounting PCB in the base
- Resistant to temperatures up to 85 °C
- Basic unit includes: lid, base, 4 bolts and 4 plugs

MATERIALS AND FINISH

- Lid and bottom—high impact ABS plastic, excellent for machining
- Plugs—rubber
- Standard color: light grey—similar to RAL 7035

OPTIONAL

- Custom-made special drilling, silk-screen printing, internal painting to achieve EMI/RFI shielding (graphite, copper or nickel base, depending on desired value of protection), self-extinguishing ABS material UL 94 VO rate, other colors available upon request

Code for RAL 7035 Light Grey	Height (mm)	Width (mm)	Depth (mm)
RE-33102001	90	50	35
RE-33102002	110	60	40
RE-33102003	125	75	50
RE-33102004	155	95	60
RE-33102005	190	115	75
RE-33102006	220	140	90



SERIE 103



- **Serie 103** universal enclosures for electronics are suitable for applications where a metallic lid is needed—allows for customized CNC machining. Lid in high-quality aluminum.

DESCRIPTION

- Modern aesthetics with square edges and rounded lateral sides
- Lid mounted by four M3 bolts, hidden by plastic covers
- Recessed area for membrane keypad on the bottom
- Polished finish that allows an easy cleaning of the surface
- Maximum internal volume
- Bosses for mounting PCB in the base
- Resistant to temperatures up to 85 °C
- Basic unit includes: panel, base, 4 bolts and 2 covers

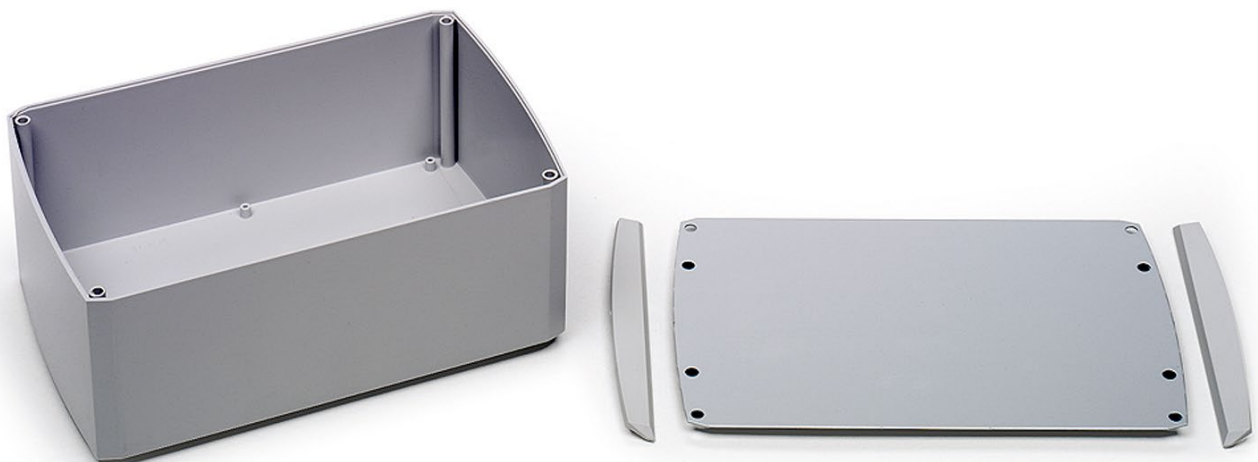
MATERIALS AND FINISH

- Bottom and covers— high impact ABS plastic, excellent for machining
- Panel—1 mm aluminum, silver anodized
- Standard color: light grey—similar to RAL 7035

OPTIONAL

- Custom-made special drilling, silk-screen printing, internal painting to achieve EMI/RFI shielding (graphite, copper or nickel base, depending on desired value of protection), self-extinguishing ABS material UL 94 VO rate, other colors available upon request

Code for RAL 7035 Light Grey	Height (mm)	Width (mm)	Depth (mm)
RE-33103001	90	50	35
RE-33103002	110	60	40
RE-33103003	125	75	50
RE-33103004	155	95	60
RE-33103005	190	115	75
RE-33103006	220	140	90



MINIBOX+



- Basic and multi-functional **Minibox+** universal aluminum enclosures for electronics. Used in applications from little testing equipment to heavy-duty installations such as machine/motor controls or automated pass controls.

DESCRIPTION

- Easy and budget fitted drilling options, by programmable CNC punching machines
- Fifteen sizes from 55 to 4 400 cm³ of internal volume
- Its aluminum construction eases EMI/RFI protection of equipments
- Two-piece construction held together with self-tapping screws, except the smallest size (31040101), which lid and base snap together
- Basic unit includes: base, cover, 4 self-tapping screws

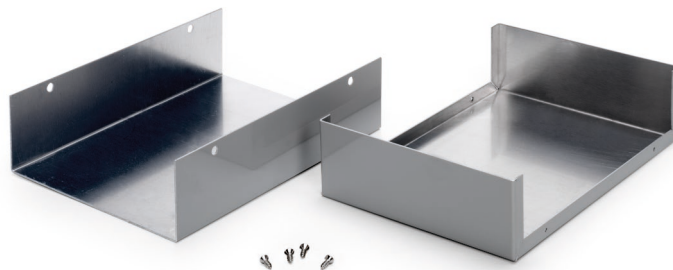
MATERIALS AND FINISH

- Made entirely of 1 mm thick aluminum, natural anodized finish, outer surface covered with removable transparent protective film

OPTIONAL

- Custom made drilling, silk-screen printing, special dimensions

Code	Height (mm)	Width (mm)	Depth (mm)
RE-31040101	55	40	25
RE-31040102	75	55	25
RE-31040103	75	40	35
RE-31040104	75	105	35
RE-31040105	105	55	35
RE-31040106	105	125	35
RE-31040107	125	55	45
RE-31040108	125	85	60
RE-31040109	155	105	45
RE-31040110	155	125	75
RE-31040111	155	125	75
RE-31040112	175	125	45
RE-31040113	175	155	75
RE-31040114	205	125	60
RE-31040115	205	205	105



SERIE 31



- Small-capacity range of handheld **Serie 31** enclosures for electronics are suitable for pocket use or situations where a small, robust enclosure is required, sealed up to IP65.

DESCRIPTION

- Modern design with beveled edges and high level of functionality
- Recesses in the cover and base for fitting membrane keypads
- Easy snap-fit assembly of base and cover
- The smaller-sized models have a lug for a key ring
- Possibility of EPDM gasket for an IP65 seal
- Standard membrane keypads for small and large models
- Temperature resistant up to 85 °C
- Basic unit includes: cover and base
- Accessories: EPDM joint seal, standard 3-button membrane keypad

MATERIALS AND FINISH

- Base and cover—high-resistance molded ABS
- Standard color: light grey—similar to RAL 7035 or black—similar to RAL9004

OPTIONAL

- Custom-made special drilling, silk-screen printing, internal painting to achieve EMI/RFI shielding (graphite, copper or nickel base, depending on desired value of protection), self-extinguishing ABS material UL 94 VO rate, other colors available upon request

Code for RAL 7035 color	Code for RAL9004 color	Key-ring hole	Height (mm)	Width (mm)	Depth (mm)
RE-33131001	RE-33131201	–	55	40	18
RE-33131002	RE-33131202	✓	60	40	18
RE-33131003	RE-33131203	✓	70	50	20



SERIE 32



- A range of **Serie 32** handheld enclosures for electronics could be used for control boxes in four sizes for medium-sized control applications with IP65 level of protection.

DESCRIPTION

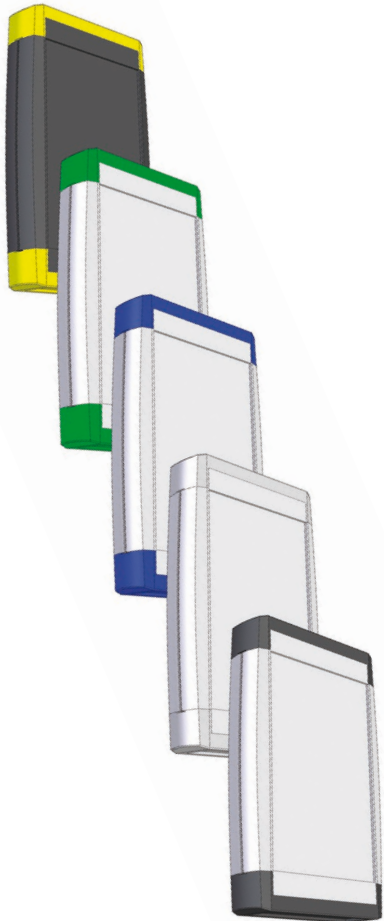
- New enclosure configuration with screw-less pressure closing
- Designed for functionality with several possibilities for mounting a membrane keypad
- Recessed areas in cover, base and front and rear panels to allow keypad mounting
- Easy pressure-assembly of the base, cover and the front and rear panels. Battery cover attached using screws
- Mounts on the base and cover for fixing PCB's using self-tapping screws
- Possibility of EPDM gasket for an IP65 seal
- Temperature resistant up to 85 °C
- Basic unit includes: cover, base and panels. In the larger sizes, cover for battery housing and screws
- Accessories: EPDM joint seal

MATERIALS AND FINISH

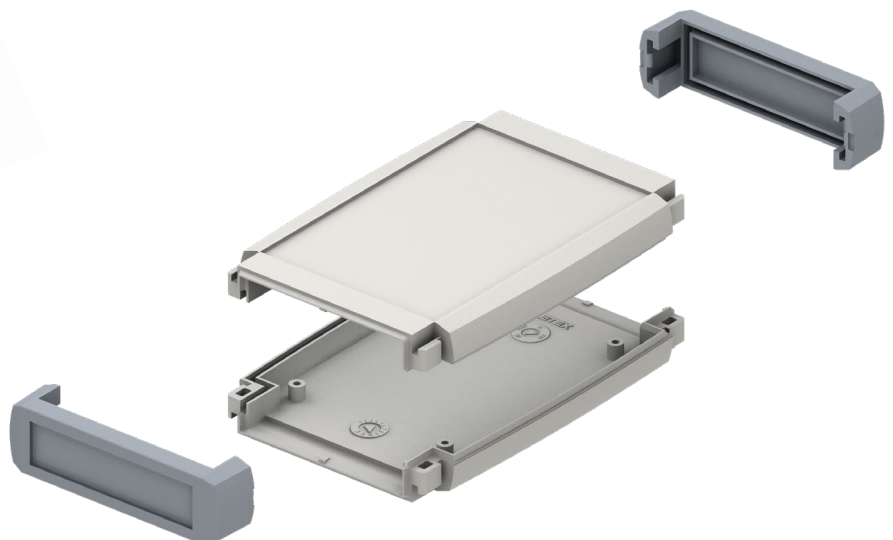
- Base and cover—high-quality injection-molded 3mm-thick ABS; light grey—color similar to RAL 7032 or dark grey—color similar to RAL 7021
- Panels—grey—color similar to RAL 7001 or black—color similar to RAL9004

OPTIONAL

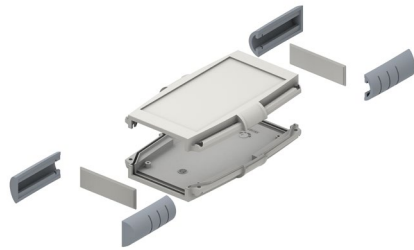
- Custom-made special drilling, silk-screen printing, internal painting to achieve EMI/RFI shielding (graphite, copper or nickel base, depending on desired value of protection), self-extinguishing ABS material UL 94 V0 rate, other colors available upon request



Code for RAL 7035 color	Code for RAL9004 color	Height (mm)	Width (mm)	Depth (mm)
RE-33132002	RE-33132202	100	75	20
RE-33132003	RE-33132203	100	75	20
RE-33132004	RE-33132204	120	75	20
RE-33132005	RE-33132205	120	75	20



SERIE 33



➤ A range of **Serie 33** handheld enclosures for electronics in six sizes are suitable for multiple control applications requiring a large volume.

DESCRIPTION

- A new control box configuration for uses where strong construction is needed, the edges are coated for better protection and grip
- Assembly by simple pressure on the edges or in combination with screws
- New ergonomics, optimized for correct hand-held use
- Various options for mounting keypads. Recessed areas in the cover, base and front and rear panels.
- Easy pressure-assembly of the base, cover and the front and rear panels. Battery cover attached using screws.
- Mounts on the base and cover for fixing PCB's using self-tapping screws
- Possibility of EPDM gasket for an IP65 seal
- Temperature resistant up to 85 °C
- Basic unit includes: cover, base and edge protectors. In larger sizes, cover for battery housing and screws are included
- Accessories: EPDM joint seal

MATERIALS AND FINISH

- Cover, base and battery cover—3mm-thick high-quality injection-molded ABS
- Edge surfaces—polypropylene and covered with TPE non-slip material
- Standard colors: enclosure in light grey—similar to RAL 7035 (ABS) and corners in light grey—similar to RAL 7001 (TPE)
- Standard colour options: enclosure—light grey RAL 7035 or black RAL9004; corners—blue RAL 5007, green RAL 6026, red RAL 3020, orange RAL 2003, black RAL9004, yellow RAL 1021, grey RAL 7001

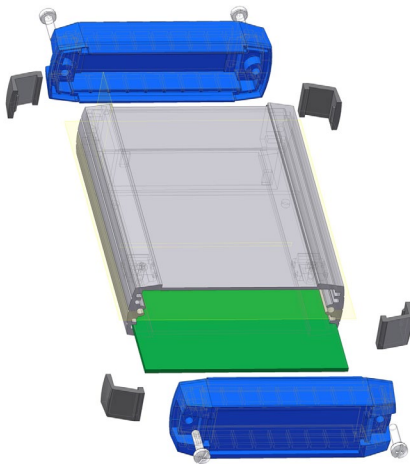
OPTIONAL

- Custom-made special drilling, silk-screen printing, internal painting to achieve EMI/RFI shielding (graphite, copper or nickel base, depending on desired value of protection), self-extinguishing ABS material UL 94 V0 rate, other colors available upon request

Code for SERIE 33 enclosures without corners (order separately)	Height (mm)	Width (mm)	Depth (mm)	Color
RE-33133301	145	95	25	Black
RE-33133302	145	95	35	
RE-33133303	185	110	25	
RE-33133304	185	110	35	
RE-33133305	200	120	25	
RE-33133306	200	120	35	
RE-33133311	145	95	25	Grey
RE-33133312	145	95	35	
RE-33133313	185	110	25	
RE-33133314	185	110	35	
RE-33133315	200	120	25	
RE-33133316	200	120	35	

Code for CORNERS	Enclosure height (mm)	Color
RE-33133225	25	Blue
RE-33133325		Green
RE-33133425		Red
RE-33133525		Orange
RE-33133625		Black
RE-33133725		Yellow
RE-33133825	35	Grey
RE-33133235		Blue
RE-33133335		Green
RE-33133435		Red
RE-33133535		Orange
RE-33133635		Black
RE-33133735	Yellow	
RE-33133835	Grey	

SERIE 50



- High quality **Serie 50** handheld aluminum enclosures for electronics with IP65 rating are suitable for a wide range of applications both indoor and outdoor. Hand-held use, applied to a wall or fixed/removable support as a machine RF/wire activated command.

DESCRIPTION

- Profiles with integrated rails for PCB's fixing
- Lid mounting by M3 self-tapping screw
- Recessed area for keyboard is provided on both the top and base of the box
- Ergonomic shape of the sides of the profile, allows for a good portability
- Battery compartments
- Wall mounting standard option
- Resistant to temperatures up to 85 °C (plastic pieces)
- Basic unit includes: 1 profile, 2 end covers, 4 small covers, mounting screws

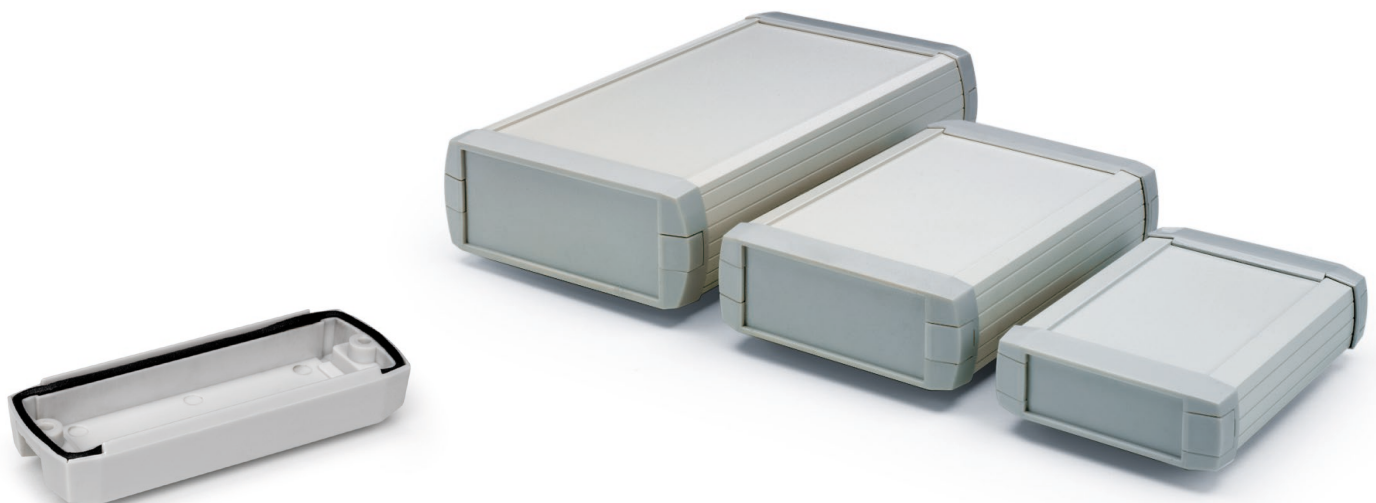
MATERIALS AND FINISH

- Enclosure—6063 aluminum tube extrusion, epoxy painted, color similar to RAL 9002 or graphite grey
- Lids—injected high quality ABS, color similar to light-grey RAL7044 or black RAL 9004

OPTIONAL

- EPDM rubber gasket for IP 65 sealing, battery holder, custom-made special drilling, silk-screen printing, internal painting to achieve EMI/RFI shielding (graphite, copper or nickel base, depending on desired value of protection), self-extinguishing ABS material UL 94 VO rate, other colors available upon request

Code for RAL 7035 color	Code for RAL9004 color	Height (mm)	Width (mm)	Inner width (mm)	Depth (mm)
RE-31150001	RE-31150201	130	82	80	27
RE-31150002	RE-31150202	160	102	100	37
RE-31150003	RE-31150203	160	122	120	47
RE-31150004	RE-31150204	190	82	80	27
RE-31150005	RE-31150205	190	102	100	37
RE-31150006	RE-31150206	220	122	120	47



BETABOX



➤ Small **Betabox** handheld enclosures for electronics are suitable for multiple applications of handheld or pocket equipment.

DESCRIPTION

- Two enclosure sizes made in ABS, with 3 mm thick walls that provide a high impact resistance
- Base incorporates a battery compartment accessible via a snap-on lid at the back. Both sizes accept two AA, two AAA or one PP3 batteries.
- Integral bosses at the base for mounting PCB's, with screws provided with the box
- Resistant to temperatures up to 85 °C
- Basic unit includes: lid, base, battery compartment lid, screws for both box and PCB's

MATERIALS AND FINISH

- Lid and base—3mm-thick high-quality injection-molded ABS
- Standard colors: black—similar to RAL9004, light grey—similar to RAL 7032

OPTIONAL

- Custom-made special drilling, silk-screen printing, internal painting to achieve EMI/RFI shielding (graphite, copper or nickel base, depending on desired value of protection), self-extinguishing ABS material UL 94 V0 rate, other colors available upon request

Code for RAL 7035 color	Code for RAL9004 color	Height (mm)	Width (mm)	Depth (mm)
RE-33050051	RE-33050551	105	61	28
RE-33050052	RE-33050552	145	80	34



SERIE 110



Types 1, 2, 3, 4



Types 5, 6, 7



- Instrument desktop **Serie 110** enclosure for electronics are suitable for command, test or control applications with frontal display.

DESCRIPTION

- Modern design oriented to functionality, conceived to optimize both case or equipment mounting and the use of internal space
- Basic structure of the box by two side aluminum extrusion profiles, steel lid/base covers and plastic brackets, to which both panels are fixed
- Side profiles include rails for mounting PCB's or other components
- Front brackets include handles in types 5, 6 and 7, with lids that can be customized with your corporate color
- Lid and base cover can be dismantled independently
- Ventilation slots are provided on rear part of lid and base covers
- The four small-profile sizes has four non-slip feet
- The three larger sizes are supplied with tilt-feet
- Resistant to temperatures up to 85 °C (plastic pieces)

MATERIALS AND FINISH

- Lid and base—1 mm sheet steel, painted textured epoxy, in graphite grey color
- Side profiles—6063 aluminum extrusion, matt silver anodized
- Front/rear panels—1070 aluminum, 1 mm (types 1, 2, 3, 4) or 2 mm thick (types 5, 6, 7), silver anodized
- Brackets and tilt feet—high quality injected ABS, graphite grey color

OPTIONAL

- Custom-made special drilling, silk-screen printing, other colors available upon request

Code	Type	Height (mm)	Width (mm)	Depth (mm)
RE-31110001	1	70	150	140
RE-31110002	2	70	200	200
RE-31110003	3	80	225	170
RE-31110004	4	90	250	200
RE-31110005	5	100	300	220
RE-31110006	6	120	350	260
RE-31110007	7	130	400	300

ABOX



Type 1



Type 2



Type 3



Type 4



Type 5

➤ Desktop **Abox** enclosures for electronics are suitable as range consoles for control and visualization applications. Specially designed for equipments such as intercoms, displays, test or control units. Enclosures come in two configurations. The first configuration is designed as a sloped unit—see types 1, 2 and 4. The second configuration is designed as a sloped unit with angled panel for display purposes—see type 3 and 5.

DESCRIPTION

- Bosses (types 1, 2 and 4) or slots (types 3 and 5) for mounting PCB's. Also suitable for mounting cards in accordance to IEC 60297 (Eurocards) in every size
- Includes four non-slip feet
- Resistant to temperatures up to 85 °C (plastic parts)
- Basic unit of type 1, 2 and 4 includes: lid, base, one aluminum panel, four non-slip feet and mounting screws
- Basic unit of type 3 and 5 includes: lid, base, two aluminum panel, four non-slip feet and mounting screws

MATERIALS AND FINISH

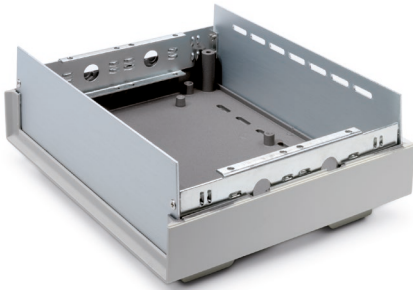
- Lid and base—high-quality injected ABS; light-grey—color similar to RAL 7032 or black—color similar to RAL9004
- Panels—2 mm thick aluminum, quality 1070, with anodized silver finish

OPTIONAL

- Custom-made special drilling, silk-screen printing, other colors available upon request

Code for light-grey color	Code for black color	Type	Height (mm)	Width (mm)	Depth (mm)
RE-33020101	RE-33020111	1	62	195	120
RE-33020102	RE-33020112	2	78	268	185
RE-33020103	RE-33020113	3	117,5	268	185
RE-33020104	RE-33020114	4	86,5	400	230
RE-33020105	RE-33020115	5	147	400	230





➤ Desktop **Elbox** enclosures for electronics are suitable for command, test or control applications with frontal/rear display.

DESCRIPTION

- Designed to optimize the use of internal space
- Base with bosses for mounting PCB's. Units of type 3 are also suitable for mounting cards in accordance to IEC 60297 (Eurocards).
- Basic inner structure of the box two side metallic chassis
- Lid and base cover this structure protecting the equipment. Rails include holes for sturdy mounting of cards or other components.
- Ventilation slots are provided on the base of the case and the rear panel
- Units of type 3 are supplied with tilt-feet.
- Resistant to temperatures up to 85 °C (plastic parts)
- Basic units of type 3 include: lid, base, front and rear panels, two metallic side rails, set of two tilt-up feet plus two fixed feet, mounting screws

MATERIALS AND FINISH

- Lid and base—high-quality injected ABS; light-grey—color similar to RAL 7032 or dark-grey—color similar to RAL7016
- Panels—1.2 mm thick aluminum, quality 1070, with anodized silver finish

OPTIONAL

- Box without side rails, custom-made special drilling, silk-screen printing, internal painting to achieve EMI/RFI shielding (graphite, copper or nickel base, depending on desired value of protection), self-extinguishing ABS material UL 94 V0 rate, other colors available upon request

Code for light-grey color	Code for dark-grey color	Type	Height (mm)	Width (mm)	Depth (mm)
RE-33030003	RE-330302013	3	77	232.5	180.5

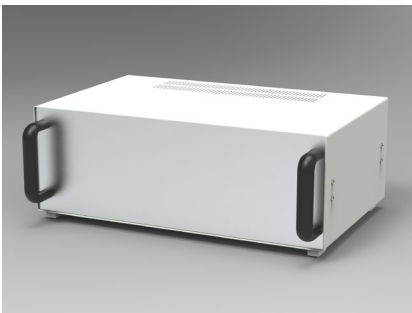
SOLBOX



➤ Sturdy **Solbox** desktop enclosures for electronics are manufactured in steel, with front and rear aluminum panels.

DESCRIPTION

- Lid and base cover with ventilation slots
- Front and rear panel in 2-3 mm thick silver anodized aluminum
- Non slip feet in types 1, 2 and 3
- Front handles and tilt-feet in types 4, 5 and 6
- Internal side plates for assembling PCB's, inner plates or other components
- Basic unit includes: base, lid, front and rear panels, side plates, feet , handles (on types 4, 5, 6) and assembly hardware

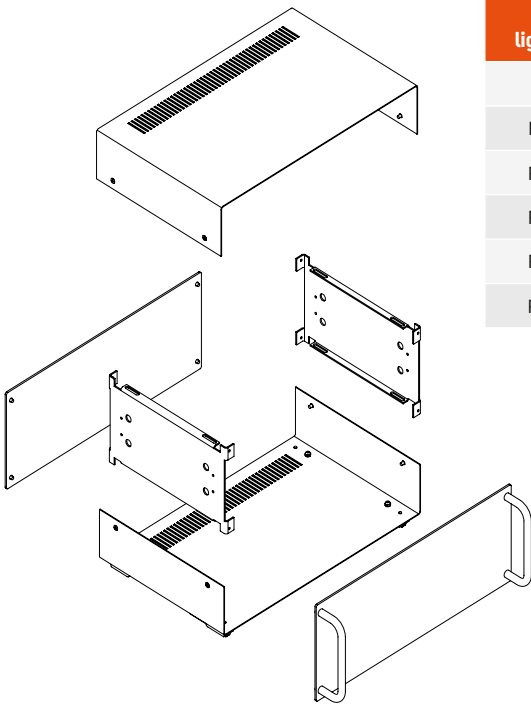


MATERIALS AND FINISH

- Lid and base in steel coated epoxy; light-grey—color similar to RAL9002
- Front and rear panel—silver anodized aluminum

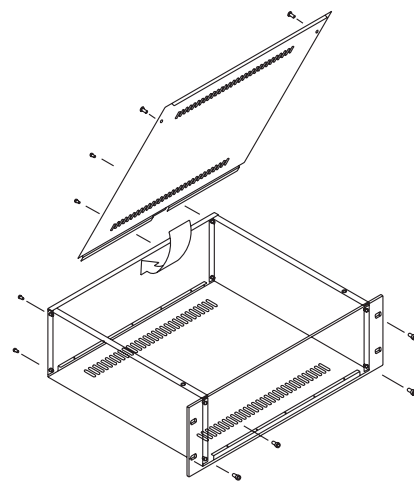
OPTIONAL

- Special dimensions, custom-made special drilling, silk-screen printing



Code for light-grey color	Type	Front handles and tilt-feet	Height (mm)	Width (mm)	Depth (mm)
RE-31080011	1	-	70	150	110
RE-31080012	2	-	80	200	140
RE-31080013	3	-	100	250	160
RE-31080014	4	✓	120	300	190
RE-31080015	5	✓	130	350	220
RE-31080016	6	✓	140	400	250

SERIE 180



➤ Sub-rack & 19" enclosures **Serie 180** intended for electronics and telecommunication equipment which can be installed in 19" racks. Built to IEC 297-2 standard (DIN 41 494). Its easy assembly, optimum accessibility and strong construction allow for an effective installation of equipment into rack. Allows for mounting in 19" rack with standard telescopic guides (100% extension).

DESCRIPTION

- Height: 1, 2 and 3U
- Depth: 263 and 363 mm
- Mounting: with ten screws M4 (eight for 1 U)
- Front and rear internal supports for the mounting of trays or circuits, except 1U
- Basic unit includes: front panel, enclosures, rear and upper lid

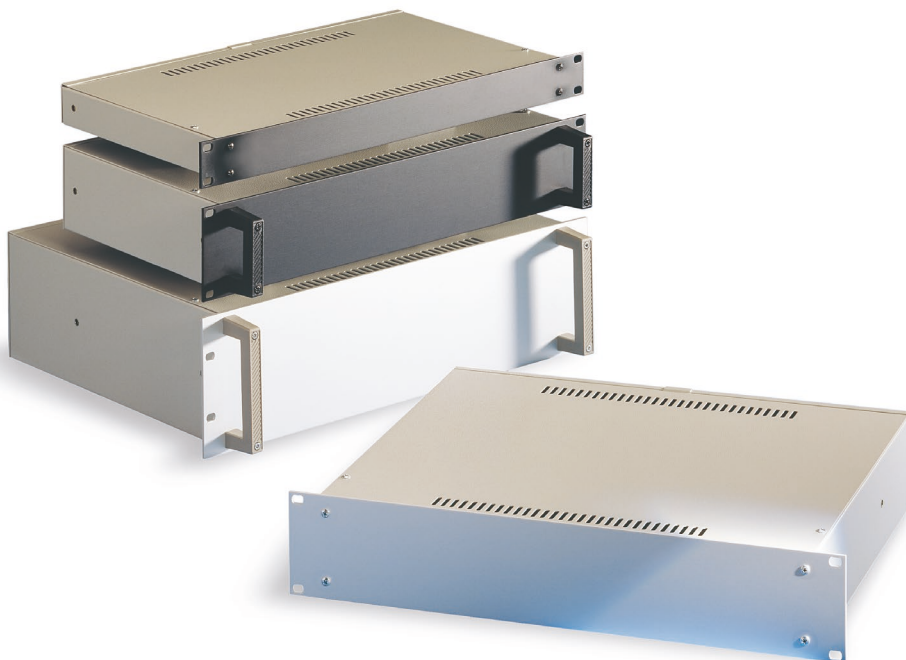
MATERIALS AND FINISH

- Front panel—3 mm thick silver or black anodized aluminum
- Frame—1 mm thick steel, light-grey painted epoxy—color similar to RAL 9002

OPTIONAL

- Special dimensions, custom-made special drilling, silk-screen printing on front panel/rear lid, other colors available upon request

Code for silver anodized front panel	Code for black anodized front panel	Height (in U)	Width (mm)	Depth (mm)
RE-32180011	RE-32180111	1	482,2	263
RE-32180012	RE-32180112	1		363
RE-32180021	RE-32180121	2		263
RE-32180022	RE-32180122	2		363
RE-32180031	RE-32180131	3		263
RE-32180032	RE-32180132	3		363



SERIE EP



- Sturdy and light **Serie EP** sub-rack & 19" enclosures for electronics. Designed to meet IEC 60 297 and DIN 41 494, they accept full-width 84E sub-racks and cases.

DESCRIPTION

- Available in 3 and 6U heights
- Supplied with ABS plastic feet, tilt-feet in front, fixed feet in rear
- Ventilation slots in base and rear panel
- Side panels have recessed handles in ABS, ergonomically disposed for comfort and ease of transport
- Basic unit includes: top and base covers, two side panels, one rear panel, four feet (two tilt-up feet in frontal part), brackets, handles and mounting hardware. Supplied flat-pack.

MATERIALS AND FINISH

- Constructed entirely from 1 mm thick steel
- Upper and lower lid and side panels— graphite-grey color painted epoxy
- Handles—high-quality injected ABS; black— color similar to RAL9004
- Legs—high-quality injected ABS; dark grey—color similar to RAL7016

OPTIONAL

- Special dimensions, custom-made special drilling, optional castors

Code	Height (in U)	Width (mm)	Depth (mm)
RE-32060333	3	489	330
RE-32060345	3		450
RE-32060633	6		330
RE-32060645	6		450



CONTEG, spol. s r.o.

Stetkova 1638/18

140 00 Prague 4

Czech Republic

Tel.: +420 565 300 358

info@conteg.com

www.conteg.com

CONTEG